

INSTRUCTION MANUAL FOR



RUGER PRECISION® RIMFIRE



– Rugged, Reliable Firearms® –



**READ THE INSTRUCTIONS AND
WARNINGS IN THIS MANUAL CAREFULLY
BEFORE USING THIS FIREARM**

© 2023 Sturm, Ruger & Co., Inc.

This manual may not be reproduced in whole or in part without the express written permission of Sturm, Ruger & Co., Inc.

**For Service on This Model Please Call:
(336) 949-5200 (See p. 43)**

THIS INSTRUCTION MANUAL SHOULD ALWAYS ACCOMPANY THIS FIREARM AND BE
TRANSFERRED WITH IT UPON CHANGE OF OWNERSHIP, OR WHEN THE FIREARM IS LOANED
OR PRESENTED TO ANOTHER PERSON

Ruger.com

PRR 11/2023 R6

State-By-State Warnings

Certain states require by law that their own specified warning notices in larger-than-normal type be conspicuously included by the manufacturer, distributor or retailer with firearms sold in that state. Sturm, Ruger & Co., Inc. sells its products in compliance with applicable laws and regulations. Because our products may be sold in these states, we include the following:

California:

WARNING

“Firearms must be handled responsibly and securely stored to prevent access by children and other unauthorized users. California has strict laws pertaining to firearms, and you may be fined or imprisoned if you fail to comply with them. Visit the Web site of the California Attorney General at <https://oag.ca.gov/firearms> for information on firearm laws applicable to you and how you can comply.

Prevent child access by always keeping guns locked away and unloaded when not in use. If you keep a loaded firearm where a child obtains and improperly uses it, you may be fined or sent to prison.

If you or someone you know is contemplating suicide, please call the national suicide prevention lifeline at 1-800-273-TALK (8255).”

ADVERTENCIA

“Las armas de fuego deben manipularse de manera responsable y segura para evitar el acceso de niños y otros usuarios no autorizados. California tiene leyes estrictas relacionadas con armas de fuego, y usted puede ser multado o encarcelado si no las cumple. Visite el sitio web del Procurador General de California en <https://oag.ca.gov/firearms> para obtener información sobre las leyes de armas de fuego que le son aplicables y cómo puede cumplirlas.

A los niños los atraen las armas de fuego y las pueden hacer funcionar. Ellos pueden causarse lesiones graves y la muerte. Evite que los niños tengan acceso a las armas de fuego guardándolas siempre con llave y descargadas cuando no las esté utilizando. Si usted tiene un arma de fuego cargada en un lugar en que un niño tiene acceso a ella y la usa indebidamente, le pueden dar una multa o enviarlo a la cárcel.

Si usted o alguien que conoce está pensando en suicidarse, llame a la línea nacional de prevención del suicidio al 1-800-273-TALK (8255).”

Connecticut:

“UNLAWFUL STORAGE OF A LOADED FIREARM MAY RESULT IN IMPRISONMENT OR FINE.”

Florida:

“IT IS UNLAWFUL, AND PUNISHABLE BY IMPRISONMENT AND FINE, FOR ANY ADULT TO STORE OR LEAVE A FIREARM IN ANY PLACE WITHIN THE REACH OR EASY ACCESS OF A MINOR UNDER 18 YEARS OF AGE OR TO KNOWINGLY SELL OR OTHERWISE TRANSFER OWNERSHIP OR POSSESSION OF A FIREARM TO A MINOR OR A PERSON OF UNSOUND MIND.”

Maine:

“ENDANGERING THE WELFARE OF A CHILD IS A CRIME. IF YOU LEAVE A FIREARM AND AMMUNITION WITHIN EASY ACCESS OF A CHILD, YOU MAY BE SUBJECT TO FINE, IMPRISONMENT OR BOTH. KEEP FIREARMS AND AMMUNITION SEPARATE. KEEP FIREARMS AND AMMUNITION LOCKED UP. USE TRIGGER LOCKS.”

Maryland:

“WARNING: Children can operate firearms which may cause death or serious injury. It is a crime to store or leave a loaded firearm in any location where an individual knew or should have known that an unsupervised minor would gain access to the firearm. Store your firearm responsibly!”

Massachusetts:

“IT IS UNLAWFUL TO STORE OR KEEP A FIREARM, RIFLE, SHOTGUN OR MACHINE GUN IN ANY PLACE UNLESS THAT WEAPON IS EQUIPPED WITH A TAMPER-RESISTANT SAFETY DEVICE OR IS STORED OR KEPT IN A SECURELY LOCKED CONTAINER.”

New Jersey:

“IT IS A CRIMINAL OFFENSE TO LEAVE A LOADED FIREARM WITHIN EASY ACCESS OF A MINOR.”

New York:

“THE USE OF A LOCKING DEVICE OR SAFETY LOCK IS ONLY ONE ASPECT OF RESPONSIBLE FIREARM STORAGE. FOR INCREASED SAFETY, FIREARMS SHOULD BE STORED UNLOADED AND LOCKED IN A LOCATION THAT IS BOTH SEPARATE FROM THEIR AMMUNITION AND INACCESSIBLE TO CHILDREN AND UNAUTHORIZED PERSONS.”

North Carolina:

“IT IS UNLAWFUL TO STORE OR LEAVE A FIREARM THAT CAN BE DISCHARGED IN A MANNER THAT A REASONABLE PERSON SHOULD KNOW IS ACCESSIBLE TO A MINOR.”

Texas:

“IT IS UNLAWFUL TO STORE, TRANSPORT, OR ABANDON AN UNSECURED FIREARM IN A PLACE WHERE CHILDREN ARE LIKELY TO BE AND CAN OBTAIN ACCESS TO THE FIREARM.”

Wisconsin:

“IF YOU LEAVE A LOADED FIREARM WITHIN THE REACH OR EASY ACCESS OF A CHILD YOU MAY BE FINED OR IMPRISONED OR BOTH IF THE CHILD IMPROPERLY DISCHARGES, POSSESSES, OR EXHIBITS THE FIREARM.”

* * * * *

Please check with your licensed retailer or state police for additional warnings which may be required by local law or regulation. Such regulations change constantly, and local authorities are in the best position to advise you on such legal matters.

FIREARMS SAFETY IS YOUR RESPONSIBILITY
**SAFETY MUST BE THE FIRST AND CONSTANT
CONSIDERATION OF EVERY PERSON WHO HANDLES
FIREARMS AND AMMUNITION.**

This instruction manual is designed to assist you in learning how to properly use and care for your **RUGER PRECISION® RIMFIRE**. Please contact us if you have any questions.

Only when you are certain you fully understand the manual and can properly carry out its instructions should you practice loading, unloading, etc. with live ammunition. If you have any doubts about your ability to handle or use a particular type of firearm safely, you should seek supervised instruction. Such personalized instruction often is available from local firearm retailers, gun clubs or police departments. If none of these sources can help, visit nra.org or write to the following address:

National Rifle Association
11250 Waples Mill Road
Fairfax, VA 22030-7400

The person possessing a firearm has a full-time job. You cannot guess; you cannot forget. You must know how to use your firearm safely. **Do not use any firearm without having a complete understanding of its particular characteristics and safe use.** Remember: There is no such thing as a foolproof firearm.

TABLE OF CONTENTS

State-By-State Warnings	2
Nomenclature	8
Locking Device Installation Instructions	9
General Information and Mechanical Characteristics	11
Operation of Safety	12
Ammunition	13
Magazines	15
Care and Cleaning of Magazines	15
Loading the Magazine	16
To Load and Fire (with Magazine)	17
To Unload Rifle and Magazine	19
To Extract and Eject a Chambered Cartridge	21
To Clear a Malfunction (“Jam”)	21
To Minimize Malfunctions (“Jams”)	22
Stock Adjustment	23
Trigger Pull Weight Adjustment	28
To Adjust Bolt Throw	29
Disassembly	30
Reversing the Safety Selector Switch	32
Handguard Removal	33
Trigger Group Removal	33
How to Clean the Trigger Group	34
Reassembly	36
Check Your Rifle’s Function	38
Regarding Accuracy	39
Care and Cleaning	39
Maintenance of Stainless Steel Rifles	41
Attaching Scope Rings	41
Storage	42
Service and Parts Policy	43
Shipping Firearms for Repair	43
Ordering Parts	44
Parts List	45
Exploded Views	46 - 50
The Basic Rules of Safe Firearms Handling	51
Warranty Information	56

“RUGER” is a registered U.S. trademark.



**WARNINGS OF GREAT IMPORTANCE ARE
FOUND ON THE FOLLOWING PAGES:**

Locking Devices	9	Handling	19
Bolt Warning	10	Unloading	20
Alterations	11	Malfunctions	22
Manual Safety	12	Disassembly	30
Ammunition	13	Lubrication	40
Lead Exposure	14	Storage	42
Stinger Ammunition	14	Shipping	43
Loading	16	Parts Purchasers	44
Firing	18		

**OTHER CAUTIONS AND WARNINGS APPEAR
THROUGHOUT THE MANUAL.**

NOMENCLATURE

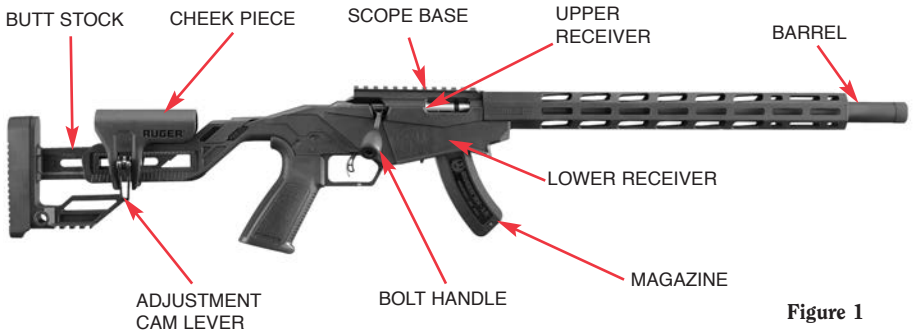


Figure 1

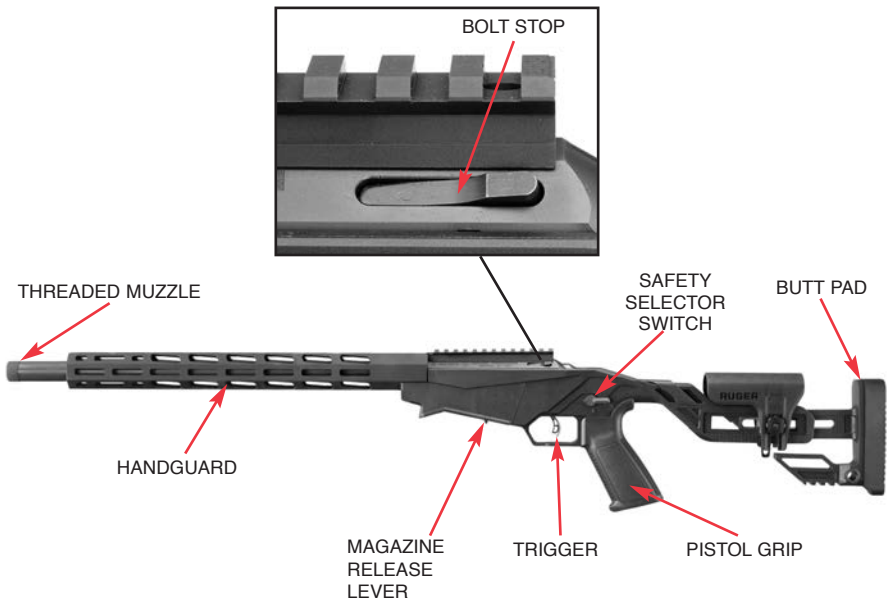


Figure 2 – In these illustrations the frequently used operating components are identified.

LOCKING DEVICE INSTALLATION INSTRUCTIONS



WARNING – USE OF LOCKING DEVICES



**Do not store keys
in lock.**

- Always keep your firearm pointed in a safe direction, including when you are installing or removing your locking device.
- Always verify that your firearm is completely **unloaded** before installing your locking device.
- Do **not** install locking devices in the trigger guard; always keep your fingers and locking device outside the trigger guard during device installation and removal.
- Store firearms, ammunition and keys separately and securely, away from children and careless adults; do **not** store your firearm with the keys in the locking device.
- Do not attempt to work the action of your firearm with the locking device in place; this may damage your firearm.
- While locking devices are an important aid to security measures, they are not a substitute for safe firearm handling and proper storage. Remember that any mechanical device can be bypassed with enough time, knowledge, determination and equipment.

**LOCKING DEVICES MUST BE USED
SAFELY AND RESPONSIBLY**

It is important to use the locking device on your Ruger® firearm when the firearm is stored or immediate use is not planned.

Keep the muzzle pointed in a safe direction and your fingers outside the trigger guard at all times!

To Install the Factory-Supplied Locking Device:

1. If the firing pin is cocked, place the safety in the “Safe” or “S” position.
2. Remove the magazine. Draw the bolt fully to the rear and verify that the firearm is completely unloaded and contains no cartridges or cartridge cases!
3. Remove the bolt from the rifle by depressing the bolt stop and sliding the bolt out of the firearm.

4. Insert the cable directly into to your **RUGER PRECISION® RIMFIRE** as shown below in Figure 3.
5. With the key turned to the farthest clockwise position, insert the loose end of the cable into the lock. Turn the key counterclockwise and remove it from the lock.
6. Once the lock is securely closed, pull firmly on the lock to test the connection and be sure it is locked. **Do not leave or store your firearm with the key in the lock!** Store your locked, unloaded firearm and the key in secure, separate locations, away from ammunition, children and unauthorized adults.



Correct installation of the lock on a Ruger Precision® Rimfire rifle.



WARNING: WHEN REINSTALLING THE BOLT, ONLY USE THE ORIGINAL BOLT WITHIN YOUR FIREARM. **DO NOT** ATTEMPT TO INSERT OR USE A BOLT ON ANY FIREARM WHICH WAS NOT PURCHASED WITH THE FIREARM. DAMAGE TO THE FIREARM, SERIOUS PERSONAL INJURY, AND/OR DEATH MAY RESULT FROM AN IMPROPERLY MATCHED BOLT AND RECEIVER COMBINATION.

**FIREARMS ARE DANGEROUS WEAPONS.
READ THE INSTRUCTIONS AND WARNINGS
IN THIS MANUAL THOROUGHLY AND CAREFULLY
BEFORE USE.**

 WARNING - ALTERATIONS	
	This product was designed to function properly in its original condition. Alterations can make it unsafe. Do not alter any part or add or substitute parts or accessories not made or sold by Sturm, Ruger & Co., Inc.
DO NOT ALTER ANY FIREARM	

GENERAL INFORMATION AND MECHANICAL CHARACTERISTICS

The **RUGER PRECISION® RIMFIRE** is a bolt-action, magazine fed, repeating rifle. The receiver and barrel, free-float handguard, and externally adjustable trigger join together to create a rigid and accurate assembly. The molded chassis assembly includes the buttstock with adjustable length of pull, comb height, and pad height.

Other notable features include a threaded muzzle, 30 MOA canted Picatinny scope base, reversible AR-style safety selector, and an AR-style grip.

NOTE: Your **RUGER PRECISION® RIMFIRE** features a handguard with Magpul® M-LOK® mounting system. Magpul offers helpful tips on accessory mounting on its website.

OPERATION OF SAFETY

The manual safety mechanism on the **RUGER PRECISION® RIMFIRE** is located on the left side of the lower receiver, above and behind the trigger. The safety selector switch can be moved from the “FIRE” position to the “SAFE” position only when the firing pin is cocked. (Fully raising the bolt handle cocks the firing pin.) The safety selector switch is “on” when it is in a fully horizontal position pointing to the word “SAFE.” (See Figure 4.) When the safety is on “SAFE,” the rifle will not fire. To move the safety selector to the “FIRE” position, keep the rifle pointed in a safe direction and rotate the safety selector switch towards a vertical position. The lever will stop when the pointer reaches the word “FIRE.” NOTE: The safety selector switch is ambidextrous and can be moved to the opposite side of the rifle. Please refer to “Reversing the Safety Selector Switch” on page 32.



WARNING: When manipulating the safety selector switch, **KEEP THE RIFLE POINTED IN A SAFE DIRECTION AND KEEP YOUR FINGERS OUTSIDE THE TRIGGER GUARD!** When the safety selector switch is in the “FIRE” position and the trigger is pulled, the rifle will fire.

The safety should be kept on “SAFE” at all times except when actually firing.

If the safety selector switch does not function properly, or it seems to move too easily, or does not seem firmly positioned in either the “SAFE” or “FIRE” position, the rifle should not be used. It should be returned to the Mayodan, NC Customer Service Department for repair (see page 43).






Figure 4

 WARNING – MANUAL SAFETY	
	Keep the safety selector switch in the “SAFE” position unless actually firing. Always move the safety selector switch fully to its intended position and <u>check</u> it. The safety selector switch must be rotated fully to the “SAFE” position for the safety to be “on.” Never depend on a safety mechanism or any other mechanical device to justify careless handling or permitting the rifle to point in an unsafe direction. The only “safe” rifle is one in which the bolt is open, the chamber is empty, and there is no magazine in the firearm.
KNOW HOW TO USE THE SAFETY	

AMMUNITION

RUGER® bolt-action rifles are chambered for many of the most popular factory-loaded cartridges manufactured in accordance with U.S. industry practice. The particular caliber for each rifle is rollmarked on the barrel. Use cartridges only of the designated caliber that is marked on the barrel. Please see “Warning - Ammunition,” below, and “Warning - Loading” on page 16.

USE ONLY FACTORY AMMUNITION LOADED TO U.S. INDUSTRY STANDARDS

		WARNING – AMMUNITION
		Use only new factory ammunition of the correct caliber. Death, serious injury, and damage can result from using the wrong ammunition, bore obstructions, powder overloads or incorrect cartridge components. Even the strongest firearm can be blown up by excess pressure. Only use correct ammunition loaded to U.S. Industry Standards. Always wear shooting glasses and hearing protection.
		IMPROPER AMMUNITION DESTROYS FIREARMS

AMMUNITION (CARTRIDGES) NOTICE

WE SPECIFICALLY DISCLAIM RESPONSIBILITY FOR ANY DAMAGE OR INJURY WHATSOEVER OCCURRING IN CONNECTION WITH, OR AS THE RESULT OF, THE USE IN RUGER FIREARMS OF FAULTY, OR NON-STANDARD, OR “REMANUFACTURED” OR HAND LOADED (RELOADED) AMMUNITION, OR OF CARTRIDGES OTHER THAN THOSE FOR WHICH THE FIREARM WAS ORIGINALLY CHAMBERED.



WARNING: DO NOT ATTEMPT TO LOAD .22 SHORT, .22 LONG, .22 SHOT SHELL OR ANY OTHER TYPE OF .22 CALIBER CARTRIDGE (OTHER THAN THE .22 LONG RIFLE) **INTO THE MAGAZINE** OF THE RUGER PRECISION® RIMFIRE RIFLE CHAMBERED IN .22 LONG RIFLE. THE USE OF OTHER CARTRIDGES IN THE MAGAZINE CAN CAUSE POTENTIALLY DANGEROUS JAMS AND MALFUNCTIONS RESULTING IN DAMAGE TO THE FIREARM AND INJURY TO THE SHOOTER AND OTHER PERSONS. TAKE CARE TO USE THE CORRECT CARTRIDGES. **DO NOT FIRE .17 HMR CARTRIDGES IN .22 MAGNUM RIFLES.**



WARNING: SOME TYPES OF LONG RIFLE CARTRIDGES HAVE BLUNT-NOSE OR SHARP-SHOULDER BULLETS WHICH CAN INTERFERE WITH SMOOTH AND RELIABLE FEEDING FROM MAGAZINE TO CHAMBER. SUCH CARTRIDGES SHOULD **NOT** BE USED BECAUSE THEY MAY DISCHARGE BEFORE BEING FULLY CHAMBERED AND THEREBY POSSIBLY INJURE THE SHOOTER AND THOSE NEARBY. THE SHOOTER MUST BE ALERT TO THIS POTENTIALLY DANGEROUS SITUATION AND SHOULD AT ONCE DISCONTINUE THE USE OF ANY CARTRIDGE WHICH APPEARS TO BE THE CAUSE OF FEEDING PROBLEMS OR JAMMING.

WARNING – LEAD EXPOSURE



Discharging firearms in poorly ventilated areas, cleaning firearms, or handling ammunition may result in exposure to lead and other substances known to the State of California to cause birth defects, reproductive harm, and other serious physical injury. Have adequate ventilation at all times. Wash hands thoroughly after exposure.

**SHOOTING OR CLEANING FIREARMS
MAY EXPOSE YOU TO LEAD**



WARNING – “STINGER” AMMUNITION



22 LR



22 "Stinger"

“Stinger” cartridges have a longer case than 22 LR cartridges loaded to U.S. Industry specifications. They can stick in the chamber of this rifle, which can result in a hazardous ruptured case and release of hot powder gasses and brass when fired.

**DO NOT USE “STINGER”
AMMUNITION**

MAGAZINES

Although similar in appearance, the 9-shot (JMX-1) and 15-shot (BX-15 Magnum) magazines intended for use with **RUGER PRECISION® RIMFIRE** rifles chambered in .22 WMR and .17 HMR are dimensionally different from .22 LR magazines. **Do not attempt to use a magazine in any RUGER PRECISION® RIMFIRE rifle that was not designed for the caliber marked on the barrel.** Using the incorrect magazine in your rifle or loading incorrect ammunition into the magazine will result in malfunctions and unsafe conditions.

Never attempt to use .22 LR ammunition in the magnum rimfire magazines. .22 LR cartridges have a smaller case diameter and can split or burst when fired in the larger magnum chamber, releasing hot powder gasses and particle fragments out of the action at high speed, possibly resulting in injury to the shooter or bystanders.

Please refer to the chart below to determine which genuine Ruger® magazines can be used in your rifle.

MAGAZINE

	10-Shot BX-1	9-Shot JX-1	15-Shot BX-15 (Non-Magnum)	15-Shot BX-15 Magnum	25-Shot BX-25
CALIBER	.22 LR	X		X	
	.22 WMR		X		X
	.17 HMR		X		X

CARE AND CLEANING OF MAGAZINES

Check the magazine frequently to ensure that the follower moves freely and has adequate spring tension so that each cartridge is quickly raised to the feeding position.

To test the spring tension, load one cartridge into the magazine and then firmly press against the cartridge case. Remove your finger quickly. The cartridge should instantly and fully move into the feeding position. If it does not, the magazine should be cleaned. **If cleaning does not restore proper spring tension, do not use the magazine.** (NOTE: After testing, remove the test cartridge.)

When cleaning is necessary, use a solvent that will not harm the polymer or metal components.

LOADING THE MAGAZINE

Use only clean, dry ammunition of the proper caliber in good condition and manufactured to U. S. Industry specifications. (See Notice and Warnings in other sections of this manual pertaining to Ammunition).

To load the magazine, press the rim of the cartridge against the magazine follower at the widest section of the magazine throat until the cartridge enters far enough to be pushed to the rear end of the magazine (see Figure 5). Press each subsequent cartridge against the body of the top cartridge and slide it to the rear of the magazine until the magazine is loaded.



Figure 5



WARNING – LOADING



Know the caliber of the rifle you are loading and load cartridges of only that caliber into it!

If a cartridge does not chamber readily, do not force it. Check the bore and chamber to be certain that each cartridge is the proper caliber and of correct dimensions. If you cannot determine why the cartridge will not fit, clear the rifle of all cartridges and write or call the factory.

The wrong ammunition can destroy your firearm and result in serious injury.

**BE SURE WHAT YOU LOAD
IS CORRECT**

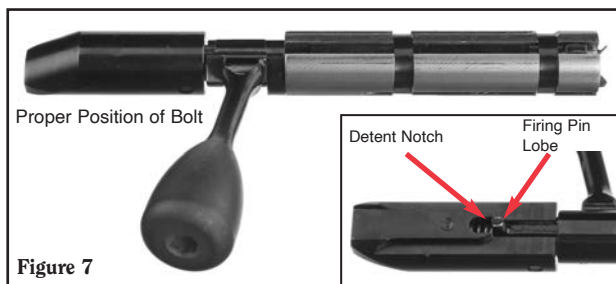
TO LOAD AND FIRE (WITH MAGAZINE)

Practice this important aspect of firearm handling (with an unloaded rifle) until you can perform each of the steps – described below – with skill and confidence.

Before loading the rifle, please read completely through this manual. Do not load the rifle until you are ready to use it and always keep the muzzle pointed in a safe direction.

(The following procedure assumes a new rifle with the bolt out).

1. Be certain the chamber is empty and the muzzle is pointed in a safe direction. Keep your fingers off the trigger until you are actually ready to fire. (See Rule 2, p. 51.)
2. Remove the magazine by pushing forward on the magazine release lever (located behind the magazine) and withdrawing the magazine. (See Figure 6.)
3. Position the safety selector in the “Safe” position. (See Figure 4, p. 12.)
4. Visually check the chamber to ensure the firearm is completely unloaded.
5. If the firearm is not unloaded, see “To Unload Rifle and Magazine,” p. 19.
6. Make certain the bolt is ready to be inserted in the receiver (see Figure 7). If there is any doubt, see numbered paragraph 5a-b, p. 37 (To replace bolt in the Reassembly section of this manual.



7. Depress the bolt stop and insert the bolt into the receiver, closing the bolt handle fully down.
8. Load the magazine with the appropriate number of cartridges (see Fig. 5, p. 16).
9. Insert magazine into the magazine well of the rifle with the bullet end of the cartridges in the direction of the barrel muzzle. (The magazine cannot be seated if it is reversed.)
10. Raise the bolt handle, draw the bolt fully to the rear, then smoothly push the bolt forward so that a cartridge is stripped from the magazine and chambered. Now, lower the bolt handle.

Note: If the cartridge does not readily strip from the magazine or if the cartridge tends to jam while being chambered, discontinue loading. Remove the loaded magazine and extract and eject the “problem” cartridge. Then, read the “Ammunition” and “Care and Cleaning of Magazine” sections of this manual.

11. The rifle is now fully loaded. Unless the rifle is to be immediately fired, the safety selector should remain in the “SAFE” position. (See “Handling Warning” p. 19.)



WARNING: DO NOT TOUCH THE TRIGGER UNTIL YOU ARE ACTUALLY READY TO FIRE THE RIFLE.

12. **To fire the rifle:** Move the safety selector to the “FIRE” position (see Figure 4, p. 12), and pull (squeeze) the trigger. A cartridge will be discharged. Always be certain that you know where the bullet will strike when you fire the rifle. (See Rule 5, p. 53.)
13. After the chambered cartridge has been fired, raise the bolt handle and draw it to the rear in a firm, smooth stroke. This will extract and eject the fired cartridge case. To chamber another cartridge, smoothly push the bolt forward and lower the bolt handle.
14. **To single-load:** The rifle can be used as a single-shot rifle in the absence of a magazine or for safety or training purposes. To do so, follow steps 1 - 4, p. 17. Load a cartridge into the chamber, and follow steps 6 - 7 on p. 17, and 10 - 13, above. See “Unloading Warning,” p. 20.



WARNING – FIRING



When firing the Ruger Precision® Rimfire, be sure that bystanders are well clear of the shooter and standing a safe distance to the rear. Empty cartridge cases are hot and are normally ejected from the rifle to the right. They could cause injury to any person who is standing too closely alongside the shooter. Shooters who fire right-handed rifles from their left shoulder should be particularly cautious concerning ejected cartridge cases and the back of the bolt as it is drawn rearward.

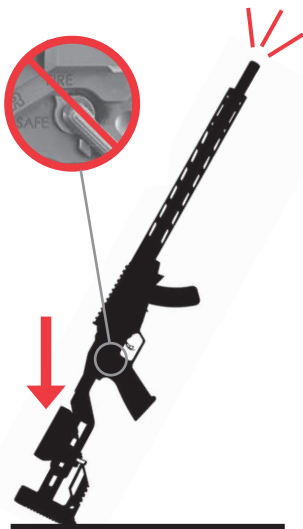
EJECTED BRASS IS HOT



WARNING: REMEMBER THAT EACH TIME A CARTRIDGE IS FIRED AND A NEW ONE IS CHAMBERED, THE SAFETY SELECTOR IS IN THE “FIRE” POSITION. THEREFORE, IF THE RIFLE IS NOT GOING TO BE DISCHARGED IMMEDIATELY AFTER THE CARTRIDGE IS CHAMBERED, MOVE THE SAFETY SELECTOR FULLY BACK TO THE “SAFE” POSITION.



WARNING – HANDLING



Never carry the rifle loaded with the safety selector switch in the “FIRE” position. If dropped or struck with the safety off, the rifle may fire. Such a discharge can occur with or without the trigger being directly struck or touched. Never rest a loaded rifle against any object (wall, fence, vehicle, tree, etc.) because there is always the possibility that the rifle will be jarred or slide from its position and fall with sufficient force to discharge. Keep the safety on unless actually firing.

**ANY FIREARM MAY FIRE
IF DROPPED**

TO UNLOAD RIFLE AND MAGAZINE

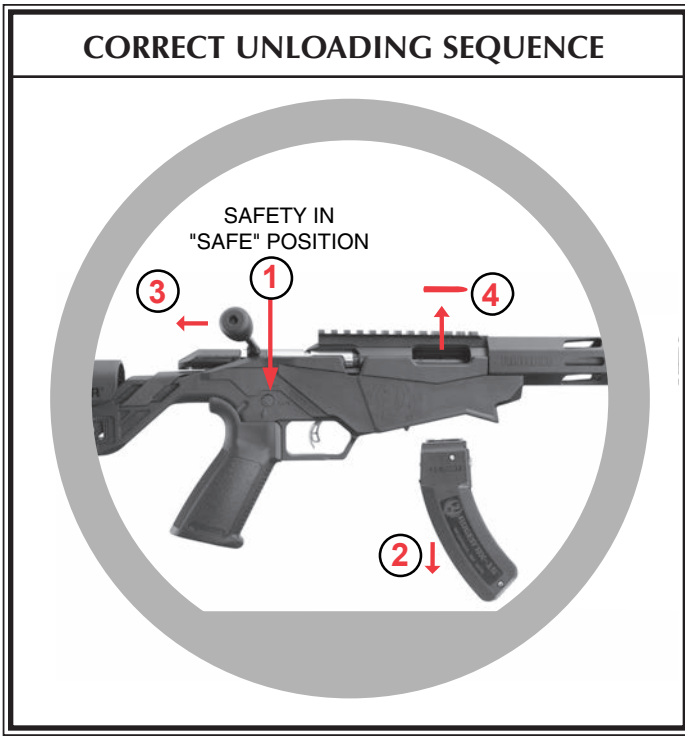
(Rifle Must be Pointing in a Safe Direction)

UNLOAD THE RIFLE IMMEDIATELY WHEN YOU ARE FINISHED SHOOTING.

If you wish to discontinue shooting before all of the cartridges in the magazine and the chamber have been fired, proceed as follows (Keep your fingers away from the trigger at all times during unloading):

1. If the firing pin is cocked, move the safety selector to the “SAFE” position.
2. Remove the magazine.
3. Open the bolt carefully so the extracted live cartridge is not ejected forcibly and carefully remove the cartridge.
4. Visually inspect the chamber to be certain it is empty.
5. Close the bolt fully.
6. If necessary, cartridges can be removed from the magazine by simply pushing them lightly downward and forward with the thumb or forefinger. A better and safer procedure is to place the rubber eraser end of a pencil against the rim of the top cartridge and press lightly downward while pushing forward. **WARNING: Do not use a loaded cartridge as a “tool” to strip cartridges from the magazine.**

CORRECT UNLOADING SEQUENCE



⚠ WARNING – UNLOADING



Removing the magazine or removing cartridges from the magazine does not prevent the rifle from being fired! When there is a cartridge in the chamber and the safety selector switch is in the "FIRE" position, the cartridge will discharge if the trigger is pulled. It is absolutely essential for the user to know how to completely unload the rifle. "Completely" means emptying the magazine and removing a chambered cartridge. **The safety selector switch should always be in the "SAFE" position when the rifle is being unloaded.** See the "Operation of Safety" section of this manual, page 12.

**FIREARM WILL FIRE WITH
MAGAZINE REMOVED OR
WITH EMPTY MAGAZINE**

TO EXTRACT AND EJECT A CHAMBERED CARTRIDGE

When the bolt is operated by hand, there can be a failure to extract the cartridge from the chamber, or a failure to eject the cartridge clear of the rifle. These failures are usually the result of the bolt not being pulled rearward vigorously, coupled with an accumulation of bullet lubricant in the chamber. From the foregoing, it is clear that the firearm user must:

1. **Always visually check the chamber after opening the bolt to eject a chambered cartridge.** If the bolt is not vigorously retracted when being operated by hand, the extracted cartridge can be “ejected” into the magazine area, instead of outside the rifle.
2. **Thoroughly clean the chamber and the extractor as often as necessary to prevent the accumulation of grease and dirt.**
3. **Always remove the magazine before clearing the chamber, and visually ensure that no cartridges remain in the firearm.** If an empty magazine is in the rifle when the bolt is being hand retracted to extract a cartridge, the cartridge may drop on top of the magazine. Then when the bolt goes forward, the cartridge will be chambered again!




TO CLEAR A MALFUNCTION (“JAM”)

If a jam occurs, immediately put the safety selector switch in the “SAFE” position and be certain the muzzle of the rifle is at all times pointing in a safe direction.

Study the situation to determine the nature of the jam and how best to clear it.

- If a cartridge or fired case is caught between the bolt and the barrel, or against a cartridge that is in the chamber, remove the magazine. Then, retract the bolt fully and remove the jammed cartridge or case.
- When attempting to extract a cartridge that is “stuck” in the chamber, do not use any type of tool that is likely to act as a “firing pin” and discharge the cartridge should the tool impact on the primer or rim of a rimfire cartridge.
- After clearing a jam, inspect the firearm mechanism to determine if dirt might be the cause of the problem. Excess lubricant or grease can cause cartridges to feed sluggishly or fail to extract. An accumulation of grease or dirt on the face of the bolt, under the extractor, in the chamber, or in the magazine can contribute to cartridge feeding problems. See section on “Care and Cleaning” page 39.
- After clearing a jam, inspect all cartridges and fired cartridge cases that have been removed from the firearm. Safely dispose of any cartridges that are in any way damaged.
- If it appears that the rifle is not at fault and that the jam was caused by the type of cartridge being used, try another type of ammunition.

- Examine your fired cartridge cases. If they have split, blown, or bulged case heads, stop using that ammunition and promptly return the rifle to the factory for examination.
- If the above procedures do not result in a smooth and reliable feeding firearm, don't use the rifle. The **RUGER PRECISION® RIMFIRE** can be returned directly to our Customer Service Department for inspection and repair, if required. See the “Service and Parts Policy” section on page 43 of the manual for packing and shipping information.

 <h2 style="margin: 0;">WARNING – MALFUNCTIONS</h2>	
	<p>If a cartridge hangs up, jams, or binds when being chambered or when being fed from the magazine into the chamber, do not attempt to force it into the chamber by pushing or striking the bolt handle.</p> <p>Most failures of a cartridge to feed or to chamber are caused by improper loading of the magazine or ammunition that is incorrect or defective.</p> <p>Whatever the cause, the user must, above all, recognize that jams can result in the potentially very dangerous situation of a cartridge firing before it is chambered. If this occurs, the cartridge case will rupture and its fragments will fly out of the firearm with sufficient force to cause injury. Always wear shooting glasses and hearing protection!</p>
	<h3 style="margin: 0;">STRIKING PRIMER CAN BURST CARTRIDGE</h3>

TO MINIMIZE MALFUNCTIONS (“JAMS”)

Firearms of all makes and types are susceptible to occasional malfunctions resulting in a cartridge not feeding from the magazine to the chamber, or due to a cartridge or fired case not being extracted and ejected.

To minimize the possibility of such occurrences, the firearm user should:

- Use ammunition of the correct caliber and type which is loaded to U.S. Industry Specifications. Do not use cartridges that are deformed or cartridges that have been reloaded.
- Clean and lubricate the firearm in accordance with the instructions in this manual.

- Learn to correctly operate the bolt and how to properly load and empty the chamber and magazine.
- If the mechanism shows signs of not functioning correctly, or if a part is damaged or broken – do not use the rifle. Have it inspected and repaired.

For most repairs, we recommend that Ruger® guns be returned to the factory. However, if a firearm has a cartridge in it which cannot be removed, then it is a violation of Federal Regulations to ship that loaded firearm whether it be by U.S. Mail or by common carrier. If you have any questions, contact our Mayodan, NC Customer Service Department at (336) 949-5200.

STOCK ADJUSTMENT

The **RUGER PRECISION® RIMFIRE** rifle has a butt stock that is adjustable for length of pull, comb height, and butt pad height.

To Adjust Length of Pull:

1. **Keep the rifle pointed in a safe direction!** Put the safety selector switch in the “SAFE” position (see Figure 4, p. 12).
2. **CHECK TO BE CERTAIN THAT THE CHAMBER AND MAGAZINE ARE EMPTY.** Remove the magazine.
3. Be certain the bolt is fully closed and locked.
4. Raise the cam lever on the cheek piece (see Figure 8). The entire butt pad assembly can be moved in or out to lengthen or shorten the length of pull (see Figure 8). Note that the butt pad and the cheek piece will move together when the cam lever is released.



Figure 8

5. Each increment adjusts the length of pull by 1/16 of an inch. The length of pull should be set before adjusting the height of your cheek piece.

6. Once the desired length of pull is achieved, lock down the cam lever (see Figure 9).

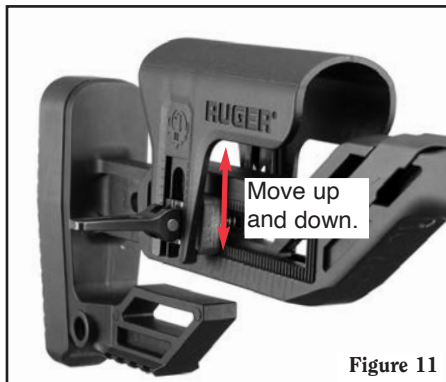


Adjusting Cheek Piece:

1. Raise the cam lever (see Figure 10).

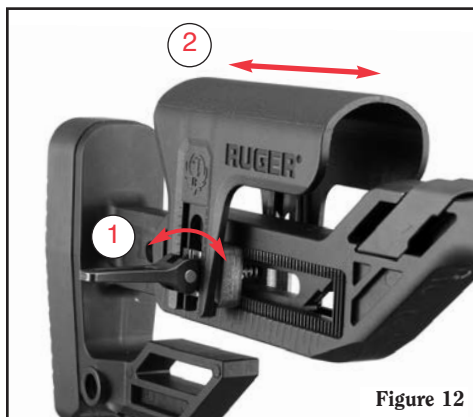


2. Move the cheek piece up or down to the desired height. (See Figure 11.)

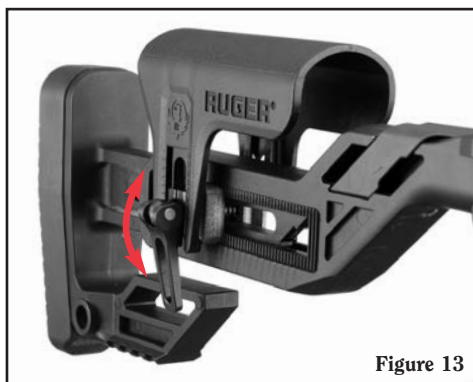


3. In order to move the cheek piece fore and aft, you must first free the cheek piece by releasing the cam lever and rotating it 180°. Firmly hold the butt pad assembly in place, and move the cheek piece fore or aft to the desired location. (See Figure 12.)

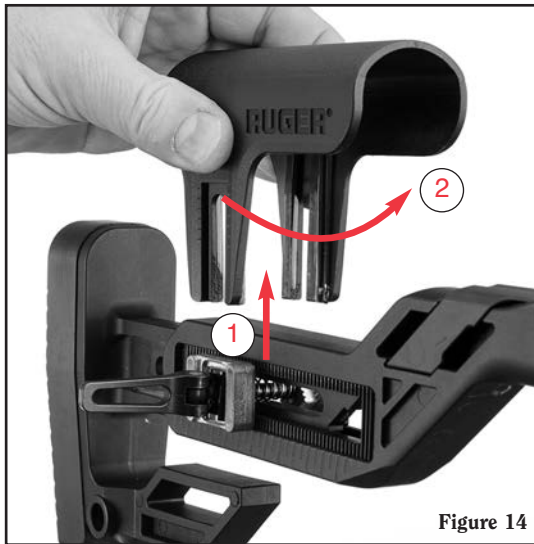
Finally, rotate the cam lever back 180° and lock it down. (See Figure 13.)



4. The cam lever can lock either upward or downward, and should be locked in such a manner as to facilitate release at a later time.

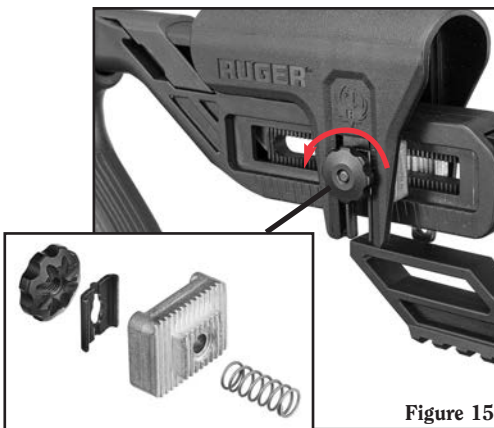


5. The contact portion of the cheek piece can be adjusted fore and aft by removing the cheek piece, rotating it 180°, and reinstalling it. (See Figure 14.)

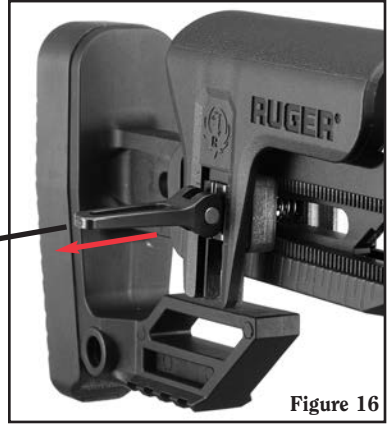
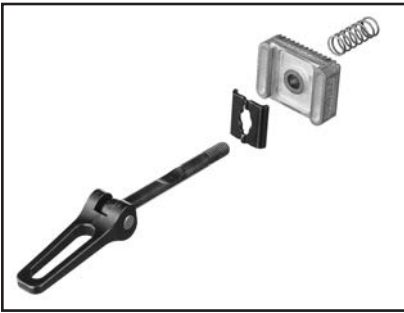


To Move Cam Lever to Other Side of Stock:

1. The cam lever can be moved to the other side of the stock. To switch the cam lever, release the cam lever, and remove the nut, washer, clamping block, and spring from the cheek piece. (See Figure 15.)



- Next, remove the cam lever, washer, clamping block, and spring from the other side of the cheek piece (see Figure 16).

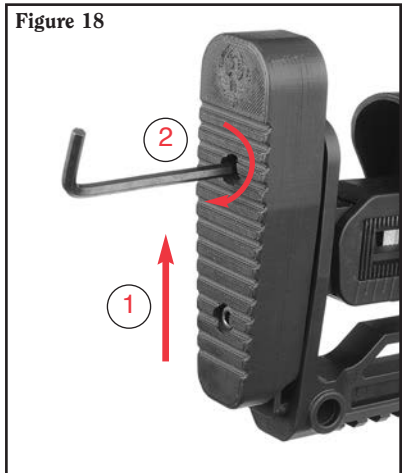


- Reassemble from the other side.

NOTE: The cam lever should be secure, but should not be overtightened. If the cam lever is too tight, release the cam lever, loosen the nut on the opposite side a quarter turn, and lock the cam lever down to check the tension. Repeat until the cam lever tightens easily and keeps the butt stock and cheek piece firmly in place.

To Raise and Lower the Butt Pad:

- Make sure the cam lever is locked (see Figure 13, p. 25).
- Using a 5/32" Allen wrench, loosen, but do not remove, the two screws on the back of the butt pad. (See Figure 17.)
- Raise the butt pad to the desired height and tighten both screws. (See Figure 18.)



TRIGGER PULL WEIGHT ADJUSTMENT

The trigger pull weight on the **RUGER PRECISION® RIMFIRE** can be adjusted from approximately 2 1/4 - 5 pounds.

To Adjust the Trigger:

1. Keep the muzzle pointed in a safe direction at all times and keep your fingers outside the trigger guard.
2. Move the safety selector switch to the “SAFE” position if the firing pin is cocked (see Figure 4, p. 12). Note that cocking the firing pin by lifting the bolt handle is required to allow the rifle to enter the “SAFE” mode.
3. Remove the magazine. **REMEMBER that even though the magazine has been removed, a cartridge remaining in the chamber can still be fired!**
4. Raise the bolt handle and draw the bolt fully to the rear, extracting and ejecting any cartridge in the chamber.
5. Position the safety selector switch in the “SAFE” position (see Figure 4, p. 12).
6. Always visually double check the chamber to be certain it is empty. At this point no magazine should be in the rifle.
7. Remove the bolt or actuate it to the forward position.

Rotate the rifle so that the magazine opening in the lower receiver is facing upwards.

8. **NOTE:** The Allen wrench for this operation is located in the tool caddy behind the bolt (see Figure 19).

Unsnap the caddy cover by carefully pulling the tabs on either side of the cover and lifting it up and away from the receiver.

When replacing the cover, be sure to place the forward tab firmly in the slot behind the bolt before snapping the back tabs down around the forward end of the butt stock.

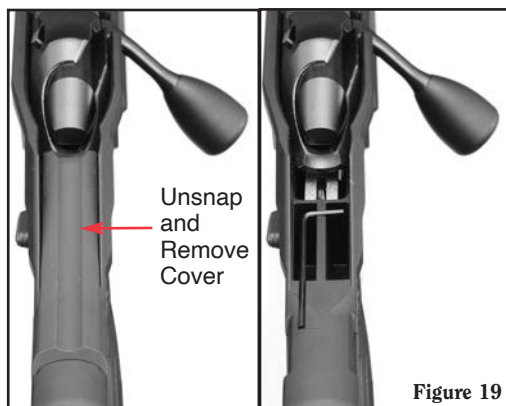


Figure 19

Figure 20



Locate the clearance in the chassis to access the screw (see Figure 20). Using the included 5/64” Allen wrench, insert the long end into that clearance and down into the adjustment screw in the trigger group (see Figure 20).

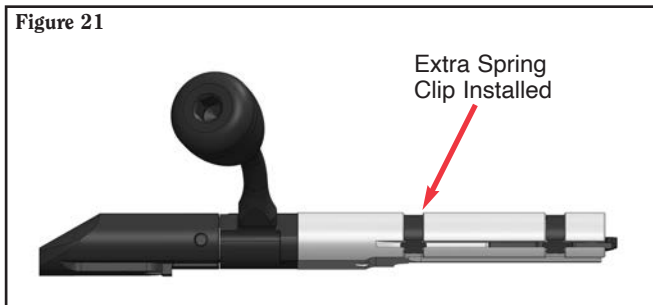
- The adjusting screw is treated with a thread locking compound and may be difficult to move. Threading the screw in (turning clockwise) will increase the trigger pull weight, threading the screw out (turning counterclockwise) will reduce the trigger pull weight. Approximately six full turns of the screw represents the entire range of trigger pull weight adjustability. Turning the screw beyond this amount will not further increase or decrease trigger pull weight.
- We recommend turning the screw in no more than 1/2 revolution increments and testing the pull weight before further adjustment is attempted. Repeat the steps outlined above as required to reach desired pull weight.

Familiarize yourself with the trigger's pull weight by dry firing the rifle (ensure the magazine is removed, the chamber is empty, and the rifle remains pointed in a safe direction) after a trigger pull weight adjustment, before live ammunition is fired.

Always visually double check the chamber to be certain it is empty prior to dry fire.

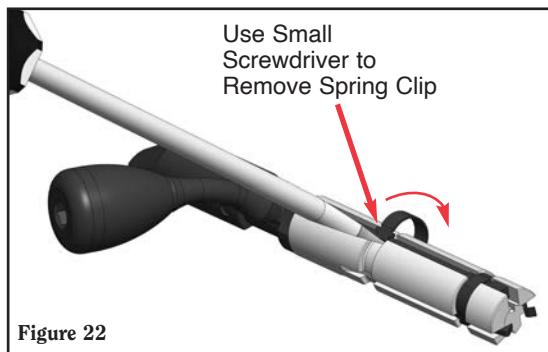
TO ADJUST BOLT THROW

The **RUGER PRECISION® RIMFIRE** has an adjustable bolt throw. The bolt has an additional groove and spring clip to adjust for length of bolt throw. The rifle ships with the spring clip in place for a short throw (see Figure 21). Refer to "To remove the bolt" page 31.



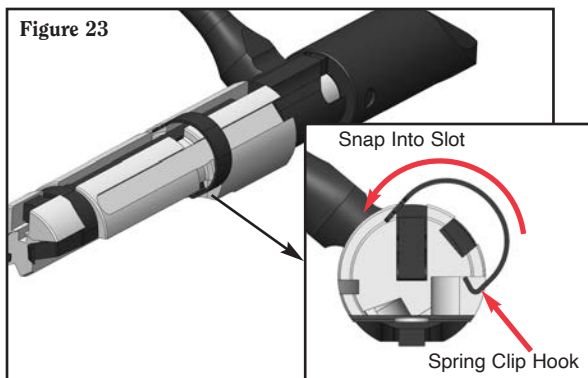
To Remove the Clip:



- Insert a small screwdriver under the edge of the clip on the right side of the bolt. Lift the clip so its tabs are clear of the slot in the bolt. Remove the clip and retain it for future use. (See Figure 22.)



To Install the Clip:

1. Place the clip onto the bolt with the hook on left side. Press down on the clip until hook snaps over the left edge and the tabs snap into the slot on the right side of the bolt. (See Figure 23.)



 WARNING – DISASSEMBLY	
	Always unload a firearm before cleaning, lubrication, disassembly, or assembly.
	UNLOAD BEFORE PERFORMING MAINTENANCE

DISASSEMBLY

(Rifle Must Be Unloaded Prior to Disassembly)

This section will cover disassembly of the **RUGER PRECISION® RIMFIRE**. It will only be necessary to disassemble up to the step required for the particular area you will be servicing. Disassembly beyond what is described in this section is not recommended and may result in a non-functioning firearm.

An on-line video demonstrating the disassembly and reassembly of the **RUGER PRECISION® RIMFIRE** can be viewed by going to Ruger.com/TechTips.

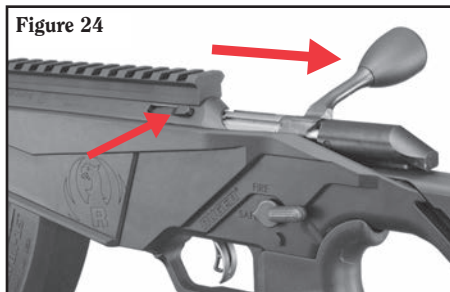
It is preferable to carry out these procedures on a workbench or table that has a covered top. A piece of shallow nap rug or an old, coarse blanket is an ideal covering. Such a covering not only reduces the chances of the rifle slipping and being scratched, but also it serves to trap pins, plungers, and springs that may otherwise get lost. We recommend you have a container – such as a shoebox – in which each part can be placed as it is removed from the firearm.

Before attempting to disassemble the rifle for the first time, study the parts drawing and parts list to become familiar with the relative position, appearance, and name of each part. (Taking a picture with your phone can prove very helpful.) Carry out the disassembly slowly and carefully note the position of the part in the firearm before starting to remove it. If a part is under spring tension, remove it cautiously and anticipate the direction the spring and plunger are most likely to “jump.”

WARNING: If a spring or plunger becomes lost, do not use a substitute. Springs of correct tension are vital to the safe and reliable performance of firearms.

Before starting disassembly, remove any attached sling, scope, and rings that may interfere with the handling of the firearm.

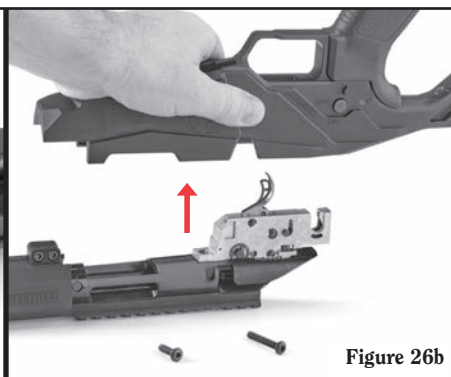
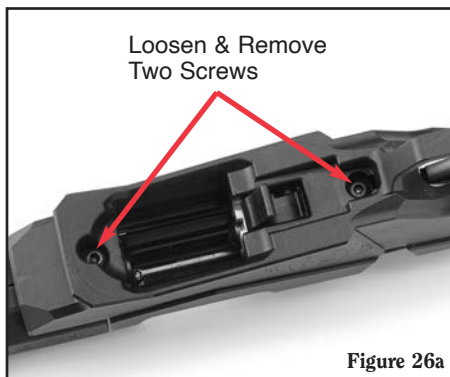
1. **Keep the rifle pointed in a safe direction!** Put the safety in the “SAFE” position if the firing pin is cocked. (See Figure 4, page 12.)
2. **CHECK TO BE CERTAIN THAT THE CHAMBER AND MAGAZINE ARE EMPTY.** Remove the magazine, and visually and physically check the chamber.
3. **To remove the bolt:** Open the bolt and pull it to the rear while at the same time pressing on the rear of the bolt stop, which is located on the left side of the receiver (see Figure 24). This is as far as you need to dismantle the rifle for a routine cleaning. It is rarely necessary to proceed further.



4. **To remove the barreled action from the stock:**
 - a. Rotate the rifle so that the magazine well opening is facing upwards.
 - b. Verify that the safety selector switch in is in the “SAFE” position (see Figure 25). **NOTE: If the safety selector switch is not in the “SAFE” position, the lower receiver cannot be removed.**
 - c. Loosen and remove the two bedding screws in the bottom of the stock (see Figure 26a).



- d. Lift the barreled-action out of the stock. (See Figure 26b.) **If the safety selector switch drops out of the stock, refer to “Reversing the Safety Selector Switch,” p. 32, for instructions on how to reinstall it.**



REVERSING THE SAFETY SELECTOR SWITCH

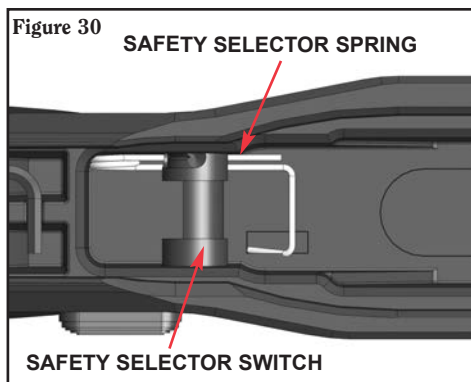
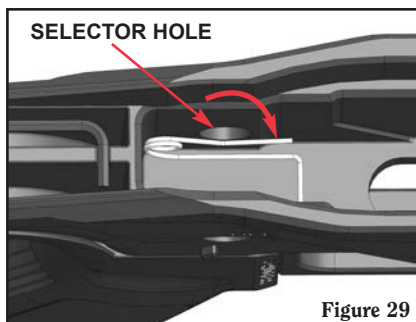
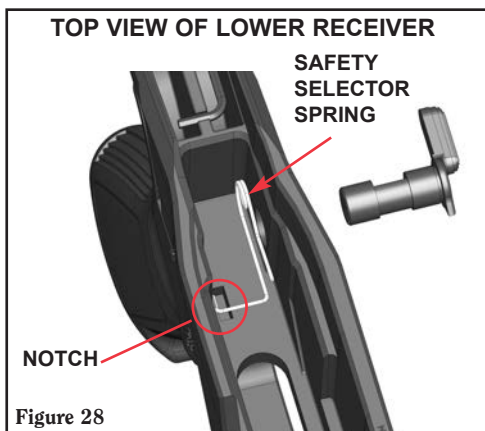
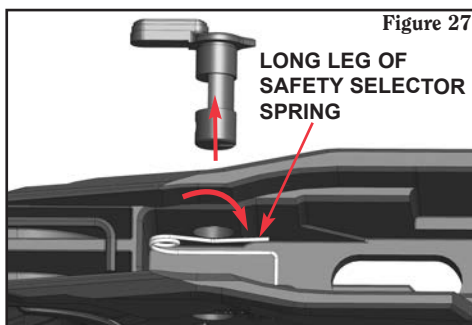
After separating the lower receiver from the rifle, you can remove and reverse the safety selector switch, if desired.

1. As you depress the long leg of the selector spring with your finger or a soft tool, remove the safety selector switch by pulling it out from the indicator side. (See Figure 27.)

NOTE: Be sure the safety selector spring does not pop out of the notch at the bottom of the trigger pocket of the lower receiver. (See Figure 28.)

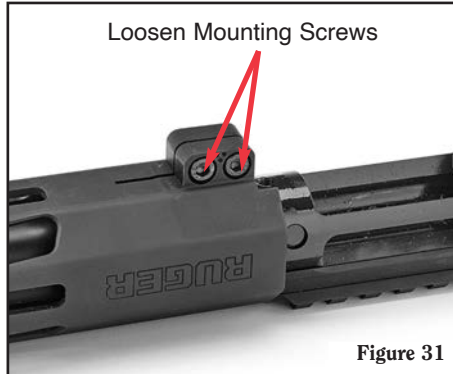
2. Keep the spring depressed below the opening of the selector hole (see Figure 29) as you reinstall the safety selector switch into the other side of the lower receiver all the way through until it bridges across both holes. (See Figure 30.)

NOTE: Ensure the long leg of the selector spring is along the left wall of the lower receiver when you reinstall the safety selector switch. The rifle will not go together properly if it is skewed.

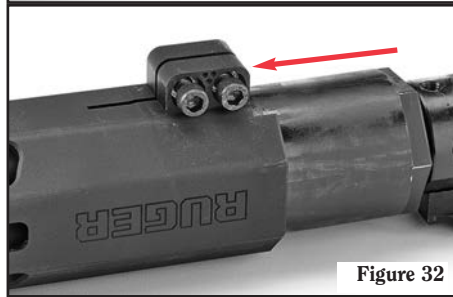


HANDGUARD REMOVAL

1. Loosen, but do not remove, the two mounting screws from the bottom of the handguard (see Figure 31).



2. Slide the handguard off of the rifle (see Figure 32). If the handguard is tightly fitted, use a non-marring hammer to start the process. Be careful not to contact the barrel as this could result in scratches to the barrel.

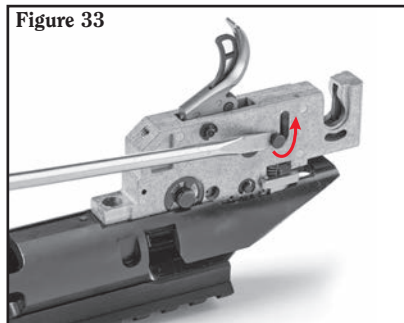


TRIGGER GROUP REMOVAL

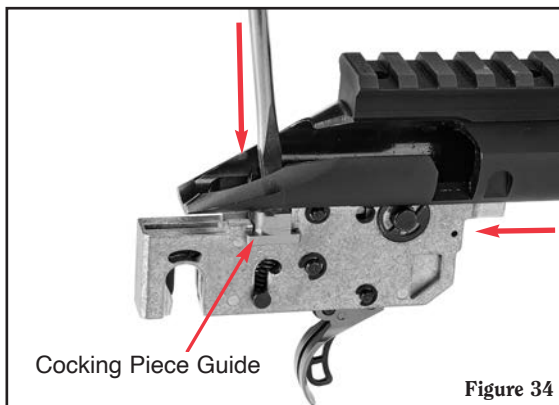
Over time and with extensive use, it will become necessary to remove and clean the trigger group. It is recommended that you clean the trigger group approximately every 1,000 rounds. An increase in trigger pull weight (without adjustment) is an indicator that the trigger group may require cleaning.

The following steps should be performed if inspection and/or cleaning of the trigger group is required. Otherwise, always leave the trigger group assembled.

1. Using a flat head screwdriver, release the cocking guide spring by depressing the pin and allowing it to move into the long portion of the "J" shaped slot (see Figure 33).



2. The cocking piece guide holds the trigger assembly forward and in place. Using a non-marring tool, depress the cocking piece guide through the bolt opening inside the receiver (see Figure 34). While holding the cocking piece guide down, slide the trigger assembly rearward towards the butt stock and out of the rifle (see Figure 34).

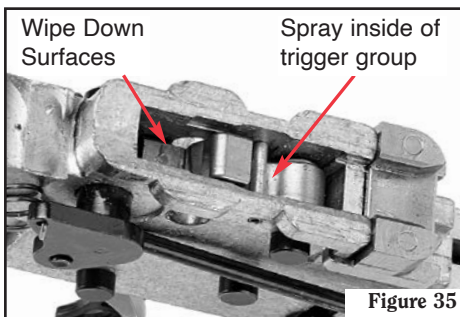


3. The trigger group should now be free from the receiver (see Figure 35). This is as far as you need to dismantle the rifle to clean the trigger group and inspect the internals. **Note: Further disassembly of the trigger group is not required for cleaning. Some parts are under spring tension and may dislodge abruptly if removal is attempted.**

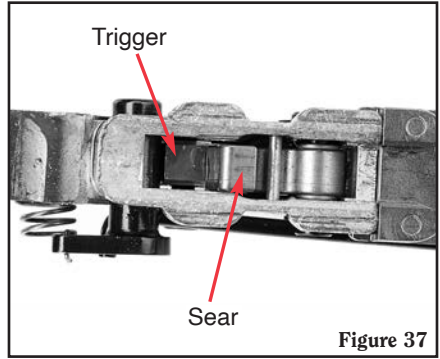
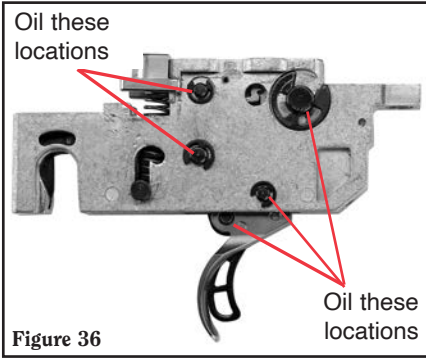
HOW TO CLEAN THE TRIGGER GROUP

To clean your trigger group:

1. Materials recommended: non-chlorinated parts cleaner, cotton swab or other soft pointed cleaning tool, an oil-type firearm lubricant, and a synthetic grease-type lubricant such as Slip 2000® EWG or equivalent (see Figure 35a).
2. With the trigger group removed from the rifle, spray the inside of the trigger group and surfaces as indicated in Figure 35.
3. Using a cotton swab, wipe down all visible surfaces as shown in Figure 35. Wipe away any debris that can be seen in and around the housing.

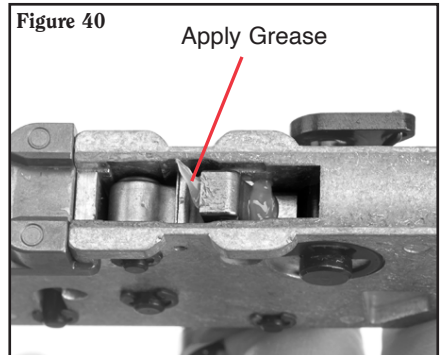
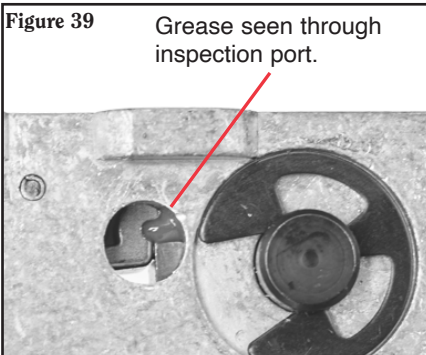
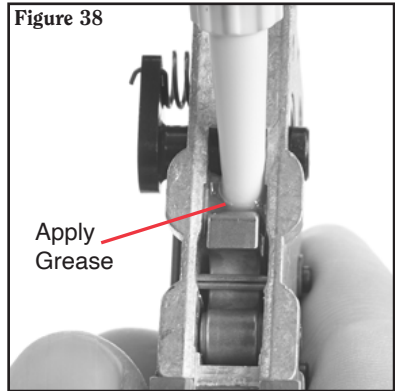


4. Apply a drop of an oil-type gun lubricant to the axle shafts of the trigger group as shown in Figure 36. Allow the oil to run down the shaft into the assembly.
5. Using the Slip 2000® EWG syringe, apply grease to the trigger and sear (see Figure 37).



Insert grease where the sear meets the top of the trigger (see Figure 38), until a 1/8" bead forms between the parts. **Note** the grease will spread along the surfaces and be visible through the inspection ports as shown in Figure 39.

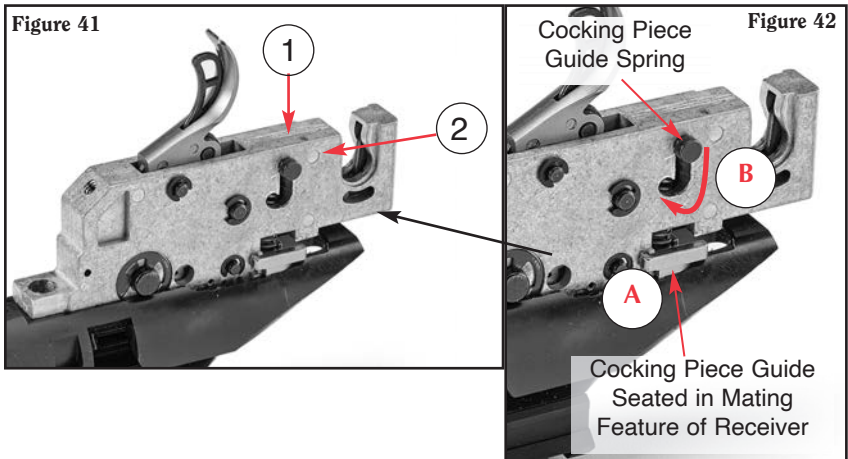
6. Apply a small bead of grease to the opposite side of the sear as shown in Figure 40.



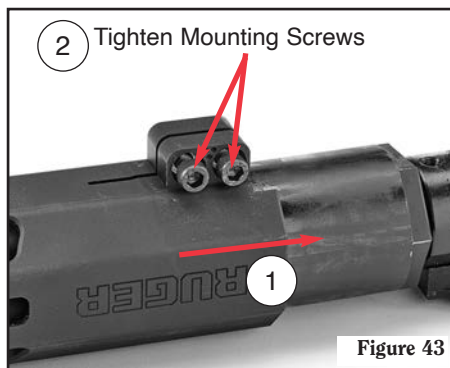
REASSEMBLY

(Again, Be Sure Rifle is Unloaded)

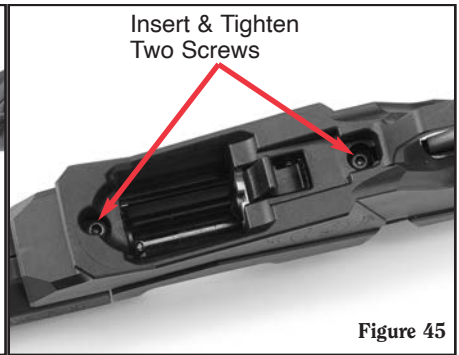
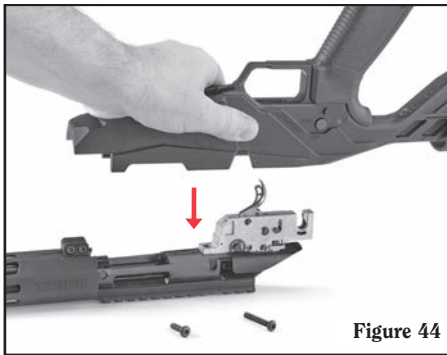
1. **Trigger Group:** With the upper receiver laying upside down on a bench, insert the trigger group into the receiver, and slide it toward the muzzle of the rifle (see Figure 41).
 - a. Grasp the cocking piece guide and maneuver it into the mating feature, making sure that it seats out fully against the receiver (see Figure 42, Step A).
 - b. Compress the cocking piece guide spring by moving the pin into the short portion of the “J” shaped slot (see Figure 42, Step B).



2. **Handguard:** Slide the handguard onto the barrel. Be sure the mounting screws are located on the bottom of the barrel/receiver (see Figure 43). If the handguard is snug, use a non-marring hammer to start the process. Be careful not to contact the barrel as this could result in scratches to the barrel. Next, tighten the two mounting screws.



3. **Lower Receiver:** With the safety selector switch in the “SAFE” position, install the lower receiver back onto the rifle (see Figure 44). **Do Not let the safety selector fall out of the stock.** **If the safety selector switch drops out of the stock, refer to “Reversing the Safety Selector Switch,” p. 32, for instructions on how to reinstall it.** Next tighten the two bedding screws in the bottom of the stock to 35 in-lbs (see Figure 45).



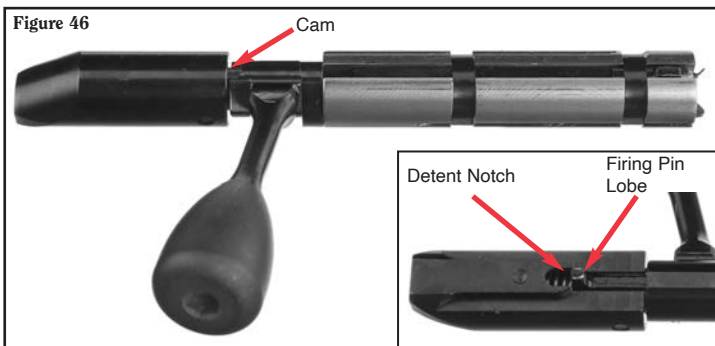
4. Test the function of the safety.

5. **To replace the bolt:**

- a. Start with the bolt in the position shown in Figure 46. You can see the lobe on the firing pin (located on the underside of the cam) is at rest inside the detent notch on the cam.

NOTE: If the firing pin lobe is located outside the detent notch, to properly locate the firing pin lobe in the detent notch, grasp the bolt handle knob firmly and rotate counter-clockwise while holding the bolt stationary.

- b. With the bolt handle in a position aligned with its raceway in the receiver and bolt cartridge seat facing away from you, depress the bolt-stop and insert the bolt into the receiver.



Keeping the rifle pointed in a safe direction and practicing safe firearm handling skills, test the movement and function of the safety from the “SAFE” position to the “FIRE” position. By dry firing the rifle, ensure that the safety is preventing the firing pin from advancing. If the above procedures do not result in a safe operating firearm, do not use the firearm. The rifle can be returned directly to our Mayodan, NC Customer Service Department for repair. See the “Service and Parts Policy” section, page 43, of this manual for packing and shipping information.

CHECK YOUR RIFLE'S FUNCTION

Periodic inspection of any firearm is important to ensuring its safe operation. It is important to clean and inspect your firearm after each range session or whenever the firearm has been exposed to sand, dust, moisture, humidity, or other adverse conditions. Proper maintenance increases the longevity of your firearm and will allow early detection of worn or broken parts.

Prior to each use, visually inspect the firearm to ensure no components are damaged, missing, loose, bent, cracked, chipped, or peened. If you observe excessive wear, you should stop using your rifle and contact customer service or a trained, certified gunsmith to evaluate its condition and replace any worn parts, if necessary.

After any disassembly and reassembly, it is important to verify that the action is working correctly before any live firing is attempted.

FIRST, BE SURE THERE IS NO AMMUNITION IN THE CHAMBER OR THE MAGAZINE, AND KEEP THE RIFLE POINTED IN A SAFE DIRECTION AT ALL TIMES!

- a. CHECK THE BOLT FUNCTION AND FIRING PIN ACTION: With the magazine removed, cycle the bolt open and closed three times. The bolt should operate smoothly and travel freely within the receiver without binding. Next, close the bolt and ensure that the safety is in the "FIRE" position. With the rifle pointed in a safe direction, pull the trigger and listen for the firing pin release 'click' as an indication the firing pin function is working. Repeat this process two more times.
- b. CHECK THE SAFETY: With the magazine removed, cycle the bolt into battery but do not dry fire the rifle.
 - First, rotate the safety selector switch to its horizontal ("SAFE") position and attempt to pull the trigger. With the safety in this position, the firing pin should NOT dry fire and the 'click' referenced above should NOT be heard.
 - Next, rotate the safety selector switch toward the vertical ("FIRE") position. Pull the trigger. The firing pin should dry fire with a 'click' sound, and you should be able to cycle the bolt.
- c. CHECK FOR SMOOTH MAGAZINE FOLLOWER MOVEMENT: With the magazine out of the rifle, using a small tool such as a pin punch, pen cap, or small screw driver, press the magazine follower (the formed plate in the magazine that pushes the cartridges upward for feeding) down and release it. The follower should freely move within the magazine and return to the top.
- d. CHECK FOR MAGAZINE LATCHING: With the bolt open, insert the magazine into the magazine well and push the magazine until the latch engages the magazine body. The latch should securely lock the magazine in place with a 'click.' Inspect the magazine to verify that it latched securely by pulling on the magazine with moderate force without pressing the magazine release. The magazine should remain locked into the rifle.

An on-line video demonstrating the disassembly, reassembly, and function check of the **RUGER PRECISION® RIMFIRE** can be viewed by going to Ruger.com/TechTips.

If any of the above function checks fail or if you are uncertain, please consult a competent gunsmith or contact Ruger Customer Service at 336-949-5200 for further firearm inspection before using the rifle.

REGARDING ACCURACY

The accuracy of any rifle can vary depending upon the make and type of cartridges used in it. Therefore, if your **RUGER PRECISION® RIMFIRE** does not perform to expectations, it is advisable to try several brands and types of cartridges to determine which one delivers the best accuracy before proceeding further. If your rifle is not as accurate as you believe it should be, run the following checks:

1. Be certain the two bedding screws are snugly tightened to 35 in-lbs. as described in Step 3, p. 37, of the “Reassembly” section of this manual.
2. Be certain the bore is clean and free from accumulated metal fouling (deposited by metal jacketed and lead bullets). See the “Care and Cleaning” section below.
3. Check the scope base and scope ring screws for tightness, setting, and alignment.

DO NOT alter the stock bedding in any way. Do not scrape away polymer or bed the stock with “glass,” plastic, epoxy, etc. Once a rifle stock has been altered, it cannot be reworked by our Customer Service Department.

If everything is tight, the bore is clean, the scope is properly aligned and secure but the accuracy problem persists, please contact our Customer Service online at **Ruger.com** or call the Customer Service Department at 336-949-5200. Fully describe all circumstances and conditions involved.

CARE AND CLEANING





WARNING: BEFORE CLEANING, BE CERTAIN THE RIFLE AND ITS MAGAZINE CONTAIN NO CARTRIDGES.

An on-line video demonstrating the care and cleaning of the **RUGER PRECISION® RIMFIRE** can be viewed by going to **Ruger.com/TechTips**.

A firearm must be free of rust, dirt, grease, and firing residues to function safely and reliably. Periodic maintenance, which includes inspection of components to determine if they are in proper working order, is absolutely essential. Shooting deposits particles of bullet, lubricant, and powder in the bore, chamber, bolt, receiver, magazine, and other parts of the rifle. There is no fixed rule as to how frequently the rifle should be cleaned, but the alert firearm owner soon learns that any firearm functions most reliably and accurately when it is free of accumulations of grease and other firing residues.

Basic cleaning equipment includes: A correct size cleaning rod equipped with bore brushes (fiber and brass) and a tip in which a cloth patch can be inserted, patches, powder solvent, lubricant, small lint-free cloths and a toothbrush. Use correct size patches and brushes. Larger sizes will bind in the bore and can be very difficult to remove! Insert rod from the chamber end of the barrel and push firmly so the patch or brush emerges from the muzzle. Don't reverse the rod when a brush or patch is being used before the brush or patch exits the muzzle – it may bind. Don't use patches or brushes dripping with solvent or oil. Use the rod and brushes with care so as not to damage the firearm.

1. For routine cleaning it is necessary only to remove the bolt and magazine.
2. Push-pull a properly sized, solvent-wetted patch through the bore several times. Next, using a solvent-wetted brush, run it the full length of the bore as many times as is necessary to completely remove all foreign matter from the bore and chamber. Dry the bore with clean patches and examine it. If the bore remains fouled, repeat brushing. Complete the cleaning by dry-patch wiping of bore and chamber.
3. Use a clean, solvent-wetted patch to remove firing residue and dirt from all “reachable” surfaces inside the receiver. Use a solvent-wetted toothbrush to dislodge caked dirt from all parts of the bolt assembly and from surfaces inside the receiver that can’t be reached with a patch. Use cleaning patches or the cloth to remove the solvent.
4. If lifting the bolt handle becomes difficult or requires more force than usual, clean and lubricate the bolt cocking cam surfaces. Refer to Figure 46, p. 37. for location of the cam.
5. Wipe all surfaces – internal and external – with a very light coat of oil. Oil and similar preparations “collect” dirt particles which can interfere with reliable functioning of the rifle. Therefore, use these preparations very sparingly. A drop of oil applied to the bolt assembly components, the pivot points of the trigger mechanism, the safety, the bolt stop, and the magazine latch, will work into all the parts that need lubrication.
6. Reassemble the rifle and carefully wipe off all excess solvent, lubricating and preservative preparations from the rifle.
7. If the rifle is to be stored for an extended period, clean the rifle thoroughly. Rewipe all surfaces with preservative oil. Reassemble and store properly.

 WARNING – LUBRICATION	
	<p>Firing a rifle with oil, grease, or any other material even partially obstructing the bore may result in damage to the rifle and serious injury to the shooter and those nearby. Do not spray or apply lubricants directly on ammunition. If the powder charge of a cartridge is affected by the lubricant, it may not be ignited, but the energy from the primer may be sufficient to push the bullet into the bore where it may become lodged. Firing a subsequent bullet onto the obstructed bore may damage the rifle and cause serious injury or death to the shooter and those nearby. Use lubricants properly. You are responsible for the proper care and maintenance of your firearm.</p>
IMPROPER LUBRICATION DESTROYS FIREARMS	

MAINTENANCE OF STAINLESS STEEL RIFLES

Firearms and components made of stainless steel are relatively more resistant to corrosion than those of blued steel. However, in the interest of proper operation and long life of a stainless steel firearms and components, inspect them frequently and clean, lubricate, and apply an appropriate rust preventative.

Sometimes, discoloration occurs from perspiration or from contact with some types of gun cases. Rusting may occur as a result of the firearm being exposed to moisture, salt air, or chemicals.

Minor discoloration can usually be removed by rubbing the stainless area with an abrasive ink eraser, crocus cloth, or a "metal polishing" compound. When using any of these abrasives, proceed with care and use light pressure to achieve a blending of "color" with those areas that are not discolored.

External surfaces most subject to rusting from handling, or from exposure to the elements, should be cleaned and wiped dry after use or after exposure to adverse conditions. If the rifle is to be stored, coat it with a light film of oil or preservative. Where the rifle is in continuing use, and the presence of oil or grease would be objectionable, then the external surfaces can be coated (after cleaning and drying) with a paste wax formulated for use on metals. Apply the wax sparingly, allow time for it to dry hard, then buff lightly with a soft cloth. When applying the wax, take care that it does not get into the mechanism or on the functioning parts or in the bore.

ATTACHING SCOPE RINGS

The **RUGER PRECISION® RIMFIRE** comes assembled with a Picatinny scope base which accepts a variety of scope rings. Please follow the instructions provided with your rings and bases.



STORAGE

FIREARMS SHOULD NOT BE STORED LOADED!

**USE THE LOCKING DEVICE SUPPLIED WITH
THE RIFLE FOR STORAGE.**

(See Page 9)

Do not store the rifle in a leather case or scabbard. Leather attracts moisture, even though it may appear to be dry.

 WARNING – STORAGE	
	<ul style="list-style-type: none">• Never place or store any firearm in such a manner that it may be dislodged. Firearms should always be stored securely and unloaded, away from children and careless adults.• Use the locking device supplied with the rifle for storage. The use of a locking device or safety lock is only one aspect of responsible firearms storage.• For increased safety, firearms should be stored unloaded in a location that is both separate from their ammunition and inaccessible to children and any other unauthorized person.
STORE SECURELY & UNLOADED	

SERVICE AND PARTS POLICY

If you have any question with regard to the performance of your **RUGER PRECISION® RIMFIRE** please contact our Customer Service online at **Ruger.com** or call the Customer Service Dept. at 336-949-5200. Fully describe all circumstances and conditions involved. If you should need to return your rifle to the factory for repair, or order parts for it, please comply with the following suggestions for prompt service:



WARNING: BEFORE SHIPPING ANY FIREARM, BE ABSOLUTELY CERTAIN THAT THE FIREARM AND ITS MAGAZINE ARE UNLOADED. DO NOT SHIP CARTRIDGES WITH A FIREARM.

SHIPPING FIREARMS FOR REPAIR

NOTE: You must obtain a **Repair Authorization Number** before returning your firearm. An authorization number can be obtained by contacting Customer Service online at **Ruger.com** or calling the Customer Service Department at 336-949-5200. Firearms should be sent prepaid. We will not accept collect shipments. Any **RUGER PRECISION® RIMFIRE** returned to the factory for repair should be sent to: Sturm, Ruger & Company, Inc., Customer Service Department, 271 Cardwell Rd., Mayodan, NC 27027.

The Federal Gun Control Act, as well as the laws of most states and localities, do not prohibit an individual (who is not otherwise barred from purchasing or possessing a firearm) from shipping a firearm directly to the manufacturer for repair. However, before you ship your firearm to us, be certain that your state or locality does not have a law or regulation which will prohibit you from receiving the firearm (or any included magazines) from us after repair. If such receipt is prohibited, please have a federally licensed firearms dealer ship the firearm to us. If your firearm is sent to us by a dealer, it will be returned to that dealer after being repaired. If a handgun (pistol or revolver) is shipped by an individual who does not hold a Federal Firearms License, it must be shipped for overnight delivery via U.P.S., Federal Express or other, similar private overnight service.

NOTE: Persons who do not hold a Federal Firearms License are prohibited by Federal law from shipping a handgun by U.S. Mail. Handguns mailed in violation of the law may be impounded or confiscated by the Post Office and the non-FFL may be subject to prosecution. Rifles and shotguns may be shipped via U.S. Mail.

Please do not include rifle cases, slings, telescopic sights or custom accessories with a firearm being shipped to the factory for service. **DO NOT SEND FIREARM BOXES OR LITERATURE THAT YOU CONSIDER TO BE COLLECTOR'S ITEMS – THESE ARE INVARIABLY DAMAGED OR DESTROYED IN SHIPMENT.** Always insure your shipment.

Enclose a letter which includes your name, address, telephone number, firearm serial number and model, and repair authorization number. Describe in detail the trouble you have experienced with your firearm, or the work you wish to have done. Merely stating that the firearm “needs repair” is inadequate information. Please enclose copies of any previous correspondence.

All work performed is subject to a minimum labor charge and charges for shipping and handling. Most models can be reblued, but custom gunsmithing service or nonstandard alterations are NOT AVAILABLE from Ruger Customer Service Departments. Please contact the Customer Service Department for pricing information.

 WARNING – PARTS PURCHASERS	
	<ul style="list-style-type: none">• It is the purchaser's responsibility to be absolutely certain that any parts ordered from the factory are correctly fitted and installed.• Firearms are complicated mechanisms and IMPROPER FITTING OF PARTS MAY RESULT IN A DANGEROUS MALFUNCTION, DAMAGE TO THE FIREARM, AND SERIOUS INJURY TO THE SHOOTER AND OTHER PERSONS.• The purchaser and installer of parts must accept full responsibility for the correct adjustment and functioning of the firearm after such installation.
PARTS MUST FIT CORRECTLY	

ORDERING PARTS

Please contact the Mayodan, North Carolina Customer Service Department for parts availability and current prices. All parts orders for the **RUGER PRECISION® RIMFIRE** should be sent to: Sturm, Ruger & Company, Inc., Customer Service Department, 271 Cardwell Rd., Mayodan, NC 27027, 336-949-5200.

We cannot comply with open account or C.O.D. requests. Payment in full via credit card (Visa or MasterCard only), money order or certified bank check (no personal checks or cash, please) is required before any service will be performed. Please provide your credit card number, your name as it appears on the credit card, the expiration date, and the 3-digit security code. All parts orders are subject to a minimum charge and charges for shipping and handling. Order parts by **Part Name and specify the model and entire serial number** of the firearm for which the parts are being ordered. There is a minimum labor charge plus a shipping and handling charge if the parts are factory fit. All factory fit parts are fit on an exchange basis only. We will not return the replaced parts. Please contact the Customer Service Department for pricing information.

Because the receiver of the **RUGER PRECISION® RIMFIRE** is a serial numbered component, it is defined as a "firearm" by Federal law and is not sold as a separate component.

*Parts designated by an asterisk must be factory fit. These parts are fit on an exchange basis only. We will not return the replaced parts. We will not return any part that is broken, malfunctioning, badly worn or has been modified. See "Warning — Parts Purchasers," above.

	WARNING: A firearm containing broken, malfunctioning, or badly worn parts should not be fired.
---	---

RUGER PRECISION® RIMFIRE

PARTS LIST

Design, prices and specifications subject to change without notice.

SPECIFY MODEL, CALIBER AND SERIAL NO. WHEN ORDERING

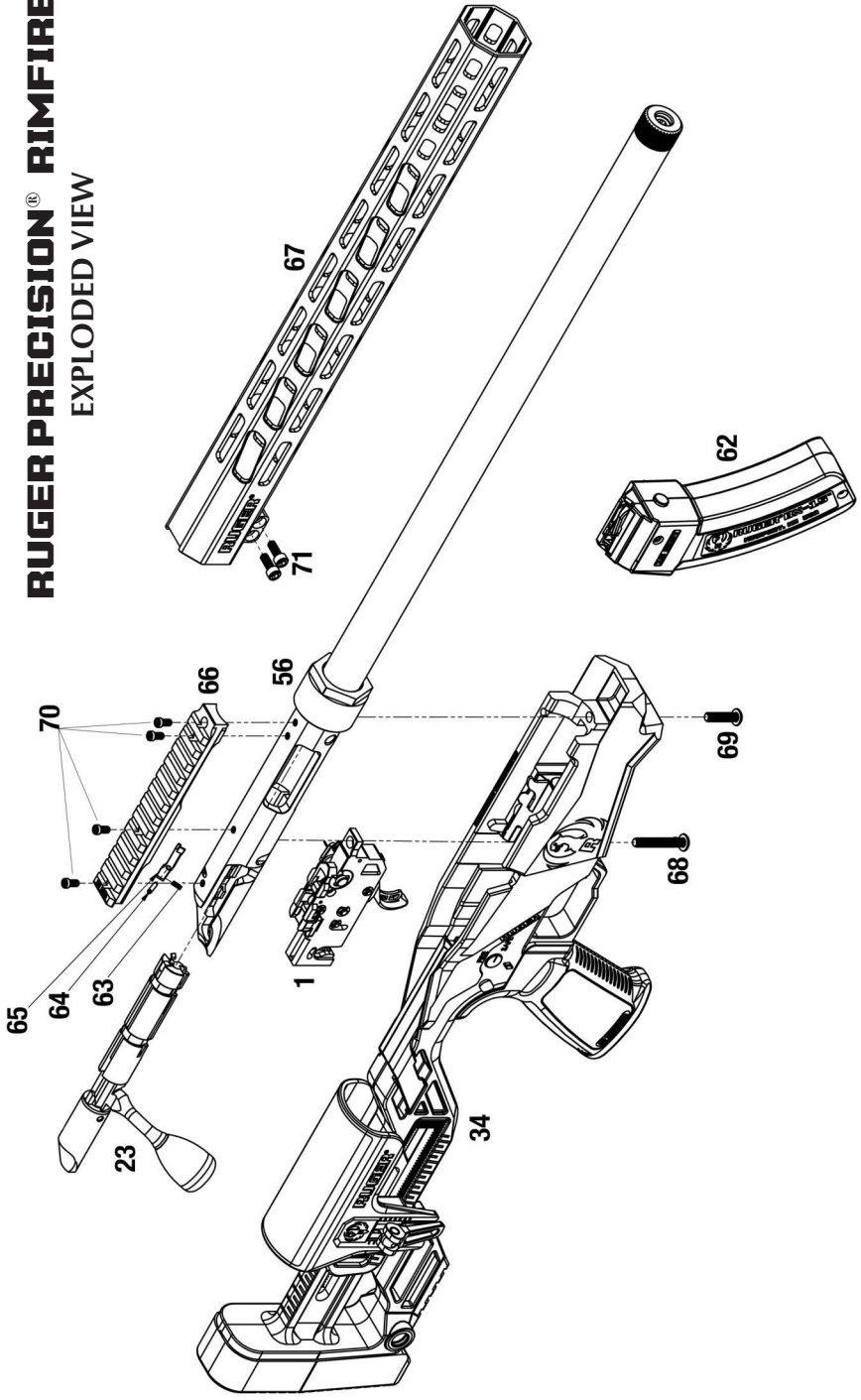
(See Exploded Views on Pages 46 - 50)

Key	Part Name	Key	Part Name
* 1	Trigger Housing Assembly – Complete Includes Key Nos. 2 - 22 (See Exploded View p. 47)	35	Butt Pad Assembly
* 2	Trigger Housing	36	Butt Pad Screws, 2 Req'd
* 3	Trigger	37	Pistol Grip Screw
* 4	Sear	38	Chassis Coring Cover
* 5	Sear Spring	39	Chassis Insert
6	Cocking Piece Guide Spring	40	Safety Selector Spring
7	Trigger Spring	41	Allen Key
* 8	Safety Shaft	42	Recoil Pad Fastener, 2 Req'd
* 9	Safety Link	43	Stock Cam Spring
10	Safety Connector	44	Cam Cross Pin
11	E-Clip, Trigger & Sear Pin, 3 Req'd	45	Stock Detent Washer, 2 Req'd
* 12	Trigger Block Pin	46	Cam Nut
13	E-Clip	47	Clamping Piece, 2 Req'd
14	Trigger Release Spring	48	Safety Selector Switch
* 15	Safety Spring	49	Pistol Grip
16	Sear Stop Pin	50	Cheek Rest
* 17	Trigger Release	51	Cam Lever
18	Trigger Sear Pin	52	Cam Rod, Long
19	Trigger Adjustment Screw	53	Butt Pad Base
20	Cocking Piece Guide	54	Magazine Latch Assembly
21	E-Clip, Safety Shaft	55	Chassis
22	Trigger Sear Pin, 3 Req'd	* 56	Barrel/Receiver Assembly – Complete Includes Key Nos. 57 - 61 (See Exploded View p. 50)
* 23	Bolt Assembly – Complete Includes Key Nos. 24 - 33 (See Exploded View p. 48)	† 57	Receiver
* 24	Bolt, Front	* 58	Barrel
* 25	Threaded Bolt Handle	59	Barrel Nut
26	Bolt Handle Knob	60	Barrel Cap
27	Bolt, Rear	61	Barrel Pin
28	Extractor	62	Magazine
29	Cartridge Positioner Spring	63	Bolt Stop Spring
30	Firing Pin	64	Bolt Stop Spring Pin
31	Rear Bolt Retaining Pin	65	Bolt Stop
32	Firing Pin Spring	66	Scope Rail
33	Bolt Stop Spring Clip	67	Handguard
34	Chassis Assembly – Complete Includes Key Nos. 35 - 55 (See Exploded View p. 49)	68	Rear Bedding Screw
		69	Front Bedding Screw
		70	Scope Base Screws, 4 Req'd
		71	Handguard Screw, 2 Req'd

* PARTS SO MARKED MUST BE FACTORY FIT.

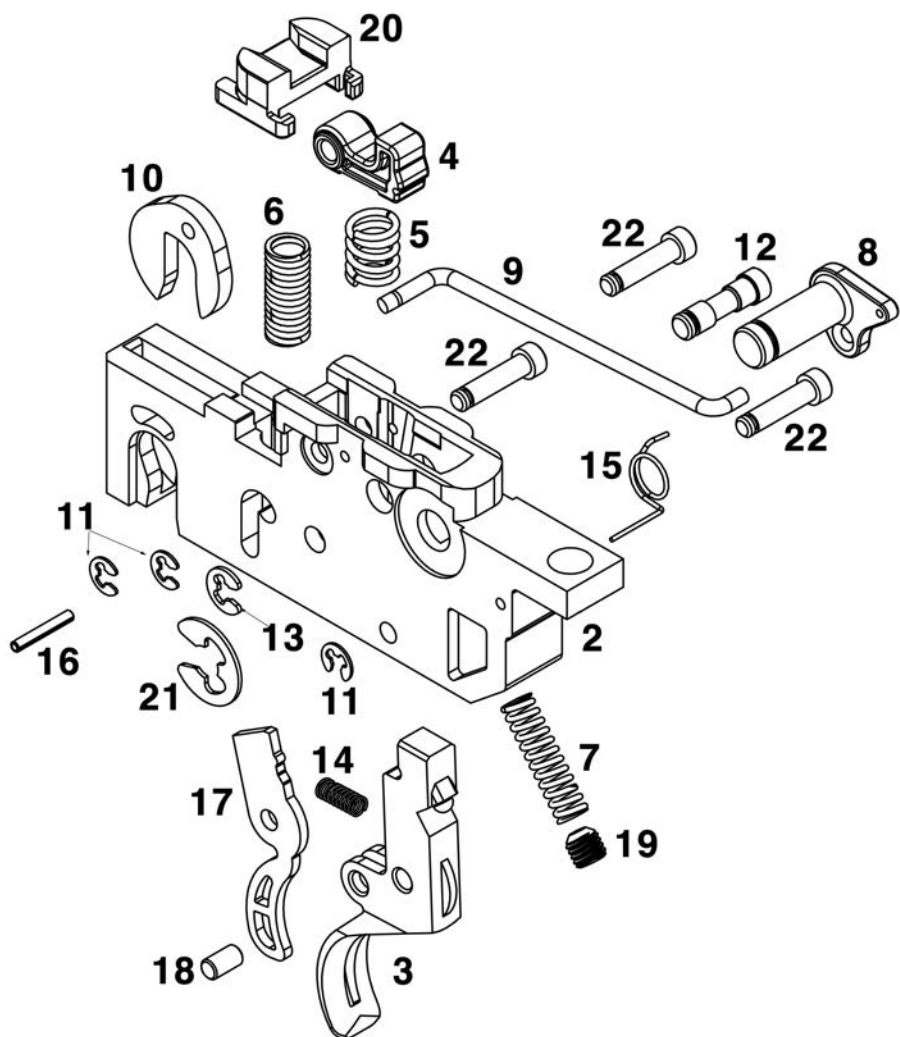
† The receiver is a serial-numbered part and is not offered for sale.

RUGER PRECISION® RIMFIRE EXPLODED VIEW

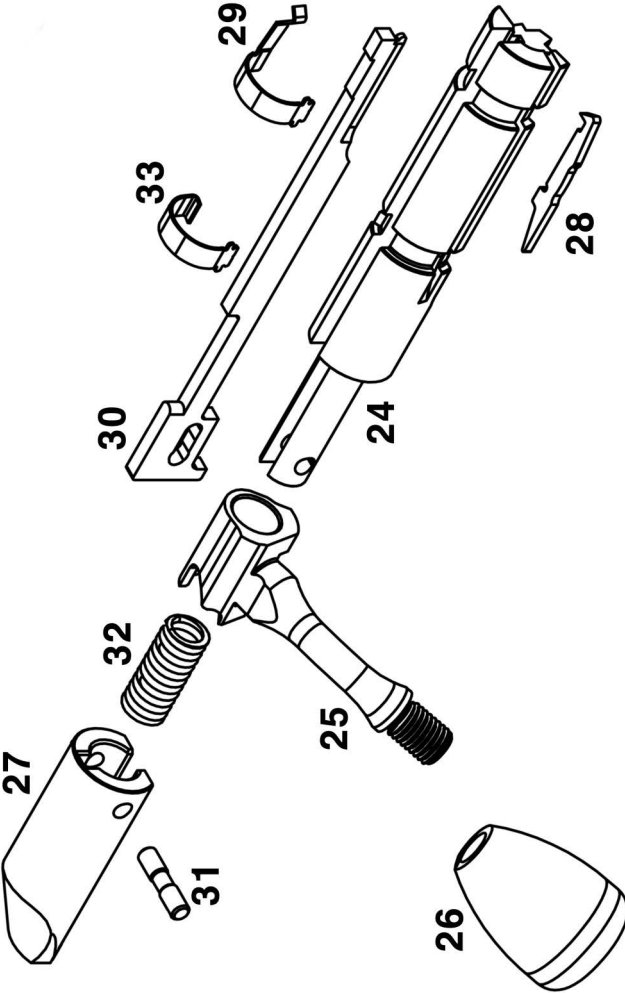


RUGER PRECISION® RIMFIRE

TRIGGER HOUSING ASSEMBLY EXPLODED VIEW

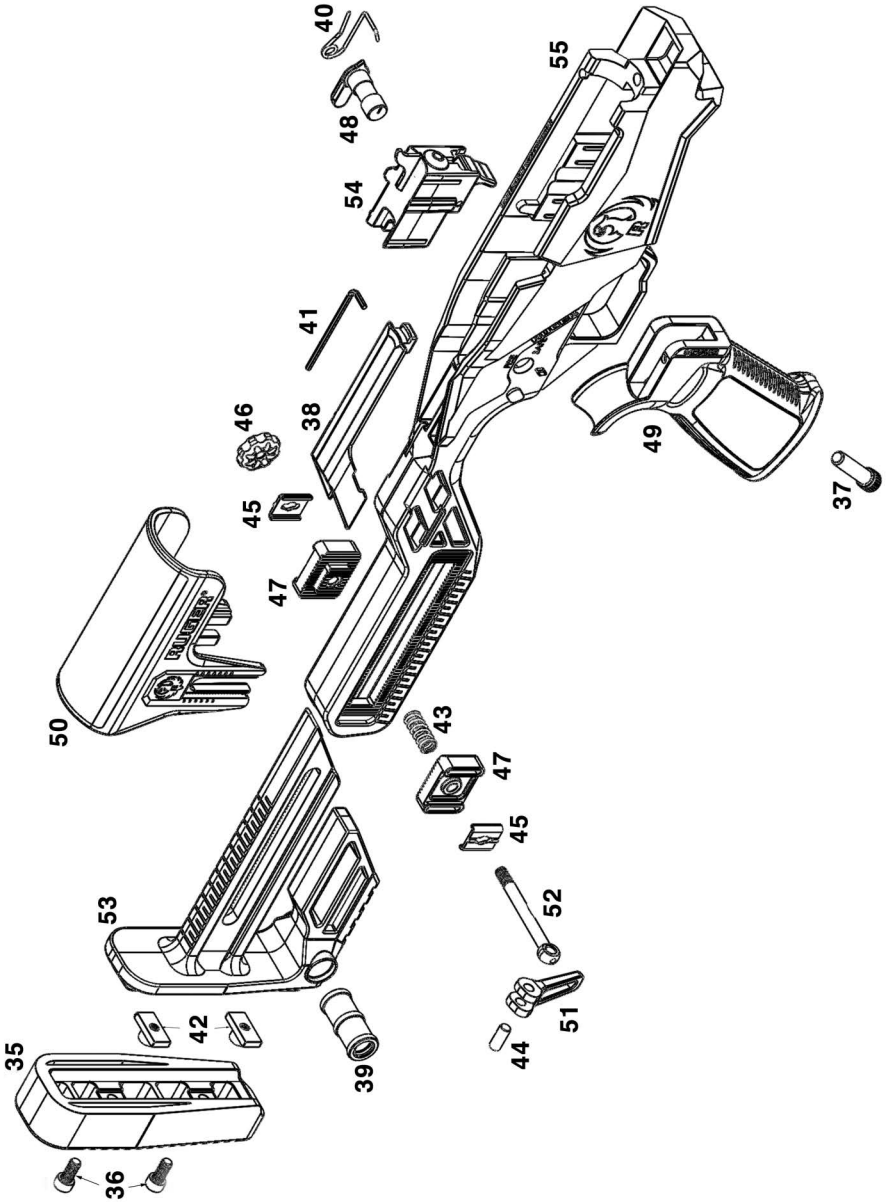


RUGER PRECISION® RIMFIRE
BOLT ASSEMBLY EXPLODED VIEW

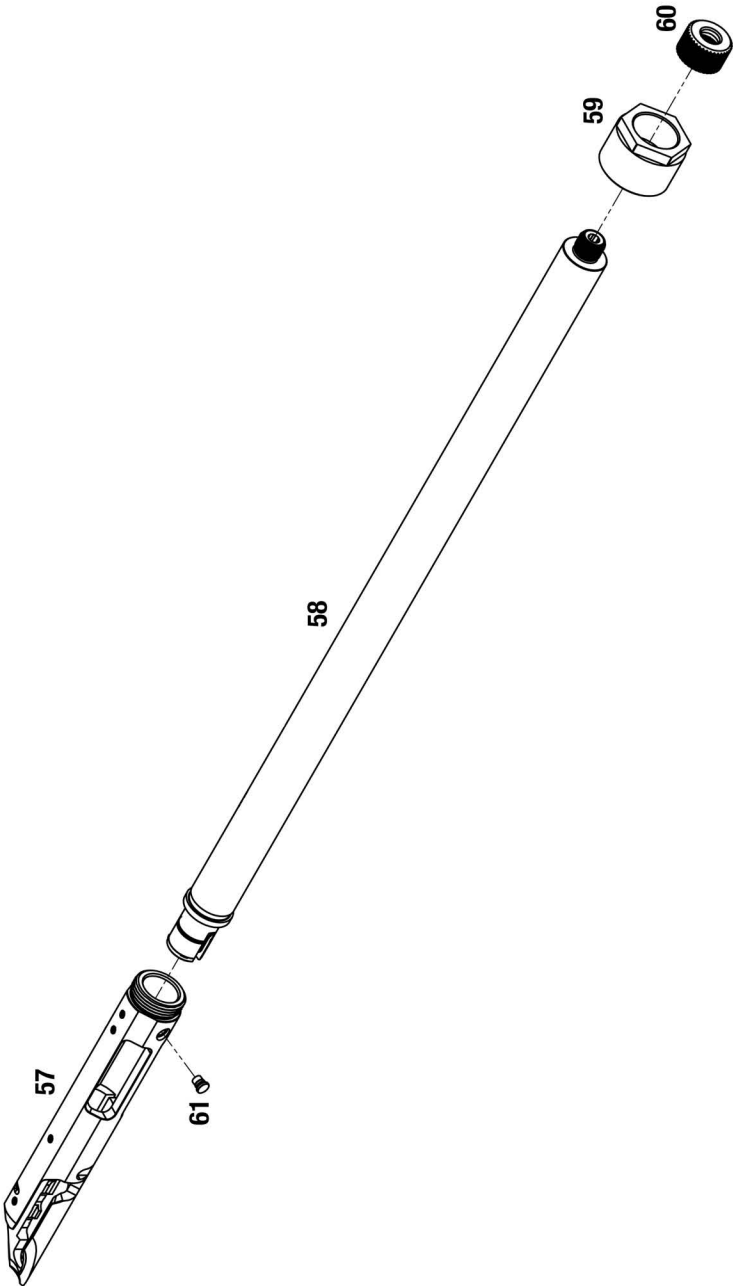


RUGER PRECISION® RIMFIRE

CHASSIS ASSEMBLY EXPLODED VIEW



RUGER PRECISION® RIMFIRE
BARREL/RECEIVER ASSEMBLY EXPLODED VIEW



THE BASIC RULES OF SAFE FIREARMS HANDLING

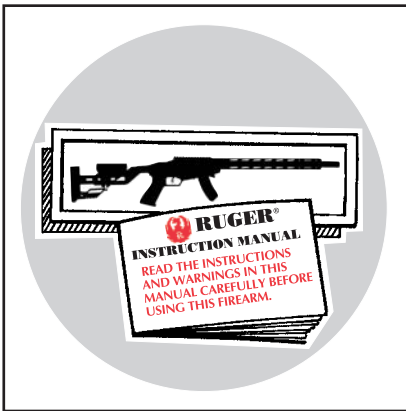
We believe that Americans have a right to purchase and use firearms for lawful purposes. The private ownership of firearms in America is traditional, but that ownership imposes the responsibility on the gun owner to use his firearms in a way which will ensure his own safety and that of others. When firearms are used in a safe and responsible manner, they are a great source of pleasure and satisfaction, and represent a fundamental part of our personal liberty.

Firearms do not cause accidents! Firearms accidents are almost always found to have been the result of carelessness or ignorance on the part of the shooter of the basic rules of safe gun handling.

The following rules must be observed by gun users at all times. Safe gun handling is not just desirable, it is absolutely essential to your safety, the safety of others, and the continuation of gun ownership and sport shooting as we know it today.

1. LEARN THE MECHANICAL AND HANDLING CHARACTERISTICS OF THE FIREARM YOU ARE USING.

Not all firearms are the same. The method of carrying and handling firearms



varies in accordance with the mechanical provisions for avoiding accidental discharge and the various proper procedures for loading and unloading. No person should handle any firearm without first having thoroughly familiarized himself with the particular type of firearm he is using, and with safe gun handling in general.

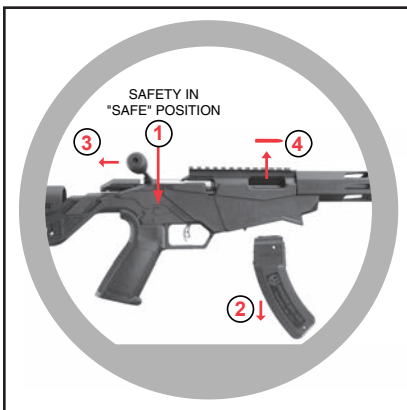
2. ALWAYS KEEP THE MUZZLE POINTED IN A SAFE DIRECTION.



Be sure of the bullet stop behind your target, even when dry-firing. Never let the muzzle of a firearm point at any part of your body or at another person. This is particularly important when loading or unloading a firearm. In the event of an accidental discharge, no injury can occur as long as the muzzle is pointing in a safe direction. A safe direction means a direction that will not permit a discharged bullet to strike a person, or to strike an object from which the bullet may ricochet.

A safe direction must take into account the fact that a bullet may penetrate a wall, ceiling, floor, window, etc., and strike a person or damage property. Make it a habit to know exactly where the muzzle of your gun is pointing whenever you handle it, and be sure that you are always in control of the direction in which the muzzle is pointing, even if you fall or stumble. Keep your finger off the trigger until you are ready to shoot.

3. FIREARMS SHOULD BE UNLOADED WHEN NOT IN USE.

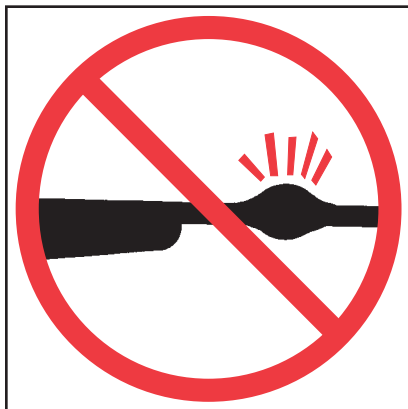


Firearms should be loaded only when you are in the field or on the target range or shooting area, ready to shoot. Firearms and ammunition should be securely locked in safes, racks or cabinets, or by using the locking device supplied with the firearm, when not in use. Ammunition should safely be stored separate from firearms. Store your firearms out of sight of visitors and children. It is the gun owner's responsibility to be certain that children and

persons unfamiliar with firearms cannot gain access to firearms, ammunition, or components.

4. BE SURE THE BARREL IS CLEAR OF OBSTRUCTIONS BEFORE SHOOTING.

Even a bit of mud, snow or excess lubricating oil or grease in the bore may cause the barrel to bulge, or even burst on firing, and can cause serious injury to the shooter and bystanders. Be sure that you are using ammunition of the proper caliber and loading for the gun you are using. If the report or recoil on firing seems weak, or doesn't seem quite right, **CEASE FIRING IMMEDIATELY**, unload your firearm, and check to be sure that no obstruction has become lodged in the barrel. Never try to shoot out an obstruction!





5. BE SURE OF YOUR TARGET BEFORE YOU SHOOT.

Don't shoot unless you know exactly where your bullet is going to strike. Be sure of the bullet stop behind your target, even when dry-firing with an unloaded gun. If you are in the field hunting, do not fire at a movement or noise. Take the time to be absolutely certain of your target before you pull the trigger.

6. WEAR SHOOTING GLASSES AND HEARING PROTECTION WHEN YOU SHOOT.

All shooters should wear protective shooting glasses and adequate hearing protection when shooting. Exposure to shooting noise can damage hearing, and wearing adequate eye protection when shooting is essential.



7. NEVER CLIMB A TREE OR FENCE WITH A LOADED FIREARM.

Put the firearm down carefully before climbing a fence, and unload it before climbing or descending a tree or jumping over a ditch or other obstruction. Never pull or push a loaded firearm toward yourself or another person. When in doubt, or whenever you are about to do anything awkward, unload your gun!

8. DON'T SHOOT AT A HARD SURFACE OR AT WATER.

Bullets can glance off many surfaces like rocks or the surface of water and travel in unpredictable directions with considerable velocity.



9. NEVER TRANSPORT A LOADED FIREARM.

Firearms should always be unloaded before being placed in a vehicle. A suitable carrying case or scabbard should be used to carry an unloaded firearm to and from the shooting area.

10. AVOID ALCOHOLIC BEVERAGES WHEN SHOOTING.

Don't drink until the day's shooting is over. Handling firearms while under the influence of alcohol in any form, or medications that could affect your judgement or coordination, constitutes a criminal disregard for the safety of others.



A BRIEF ACCOUNT OF AN EXTRAORDINARY ACHIEVEMENT: RUGER® FIREARMS

Sturm, Ruger & Company, Inc., had its beginning in a small machine shop occupying a rented frame building in Southport, Connecticut. In January, 1949, with an initial investment of only \$50,000 and an idea, William B. Ruger and Alexander M. Sturm started production of a .22 caliber autoloading pistol—a design which was so successful that it became the cornerstone upon which one of the most comprehensive lines of sporting firearms ever made in America was established. After Alex Sturm's death in 1951, William B. Ruger continued to direct the Company until his death in 2002. William B. Ruger, Jr. continued to provide guidance, which helped make this Company a sound and successful enterprise, until his retirement in 2006. The Company has continued to prosper, under new management and guidance from our Board, with new products and fresh perspectives.

Ruger, in this relatively short time, has established itself as a leading small arms design organization, developing a unique and broad line of fine quality sporting, military and police firearms to become one of the world's most famous producers of revolvers, pistols, rifles and shotguns. Since 1949, Ruger craftsmen have built many millions of firearms.

During its five decades of growth and progress under the leadership of William B. Ruger, the Company developed a business philosophy and implemented policies which represent a constructive influence in the life of modern America. From the beginning, Ruger played a positive role in conservation efforts and has supported the interests of shooters through such groups as the National Rifle Association, National Shooting Sports Foundation, and many regional sportsmen's organizations.

The Company has always endeavored to market its firearms for constructive and recreational purposes, to emphasize the traditional and responsible aspects of shooting, to render meaningful public services, and to encourage shooters in constructive, responsible, and safe participation in the shooting sports. Its motto, "Arms Makers For Responsible Citizens®," exemplifies this Company philosophy.

Today, Ruger® is particularly mindful of those elements which have contributed to the creation of its success, and extends heartfelt thanks to its many loyal employees and customers.

Instruction manuals for all Ruger® firearms,
can be downloaded from our website at:

Ruger.com

WHY NO WARRANTY CARD HAS BEEN PACKED WITH THIS NEW RUGER® FIREARM

The Magnuson-Moss Act (Public Law 93-637) does not require any seller or manufacturer of a consumer product to give a written warranty. It does provide that if a written warranty is given, it must be designated as "limited" or as "full" and sets minimum standards for a "full" warranty. Sturm, Ruger & Company, Inc. has elected not to provide any written warranty, either "limited" or "full", rather than to attempt to comply with the provisions of the Magnuson-Moss Act and the regulations issued thereunder. There are certain implied warranties under state law with respect to sales of consumer goods. As the extent and interpretation of these implied warranties varies from state to state, you should refer to your state statutes. Sturm, Ruger & Company wishes to assure its customers of its continued interest in providing service to owners of Ruger® firearms.



STURM, RUGER & Company, Inc.
271 Cardwell Road
Mayodan, North Carolina 27027 U.S.A.
Ruger.com

Arms Makers For Responsible Citizens®

**A COPY OF THE INSTRUCTION MANUAL FOR ANY RUGER®
FIREARM IS AVAILABLE FROM THE FACTORY FREE ON REQUEST, OR IT MAY
BE DOWNLOADED FROM OUR WEBSITE AT RUGER.COM.
THESE INSTRUCTION MANUALS CONTAIN IMPORTANT
WARNINGS WHICH MUST BE UNDERSTOOD
BEFORE USING THESE FIREARMS.**

The Following are Sturm, Ruger & Co., Inc. Trademarks: "All-Weather," "Bisley," "Gold Label," "I'm a Ruger American," "LC6," "LCR-357," "LC380CA," "LC Carbine," "LC Charger," "Mark II," "Mark III," "Mark IV," "Model 96," "P345," "P345D," "P345PR," "P85," "P89," "P90," "P91," "P93," "P94," "P95," "P97," "Power Bedding," "PC Carbine," "ReadyDot," "R.I.O.S.," "Ruger Marksman Adjustable," "Ruger 77/50," "Ruger 10/17," "Ruger 10/22 Takedown" phrase & logo design, "Secure Action," "Security-Six," "Service-Six," "77357," "SFAR," "Single-Seven," "Speed-Six," "SR45," "SR-556C," "SR-556VT," "SR9c," "SR40c," "Super Bearcat," "Target Grey," "10/22-FS," "This is Ruger. This is America," "Tri-Flex," "22 Charger," "22/45," "22/45 RP," and "Your Next Handgun."

The Following are Registered U.S. Trademarks Belonging to Sturm, Ruger & Co., Inc.: "AC-556," "AR-556," "Arms Makers For Responsible Citizens," "Bearcat," "Blackhawk," "BX-15," "BX-25," "BX-Trigger," "Eagle - solid logo design, Eagle Hard "R" logo holding gun, Eagle 'R' - soft 'R' & hard 'R' logo design, Eagle w/'SR', Eagle w/soft 'R' linear logo design, Eagle w/hard 'R' linear logo design, Eagle w/soft 'R' stacked logo design, Eagle w/hard 'R' stacked logo design, Eagle w/soft 'R' linear logo design & "Rugged, Reliable Firearms" below logo, Eagle w/hard 'R' linear logo design & "Rugged, Reliable Firearms" below logo, "EC9s," "Elite 452," "GP100," "Hawkeye," "It's Mine and It's American," "It's Mine. And It's American," "LC380," "LC9," "LC9s," "LC9s Pro," "LCP," "LCR," "LCRx," "M77," "Match Champion," "MAX-9," "Mini-14," "Mini Thirty," "9E," "Old Army," "Redhawk," "RUGER," "Ruger American," "Ruger American Pistol," "Ruger American Pistol" flag design, "Ruger American Rifle," "Ruger American Rimfire," "Ruger Custom Shop," "Ruger Hunting" - phrase & logo design, "Ruger Precision," "Ruger Precision Rifle" - phrase & logo design, "Ruger 77/17," "Ruger 77/22," "Ruger 77/44," "Ruger 5.7," "Ruger SP101," "Ruger Titanium," "Ruger 22/45 Lite," "Ruger Vaquero," "Rugged, Reliable Firearms," "Security-9," "Security-380," "Silent-SR," "Single-Nine," "Single-Six," "Single-Ten," the "SR" Design, "SR9," "SR40," "SR-22," "SR22," "SR-556," "SR-556 Takedown," "SR-762," "SR1911," "Super Redhawk Alaskan," "10/22," & "Wrangler."